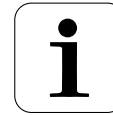




**SERIES VTR801  
Lanzenventil**

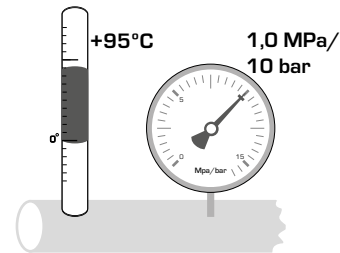


Mtrl.nr: 98140872 • Ritn.nr: 9248 utg. B • Rev. 1604



Series VTR801

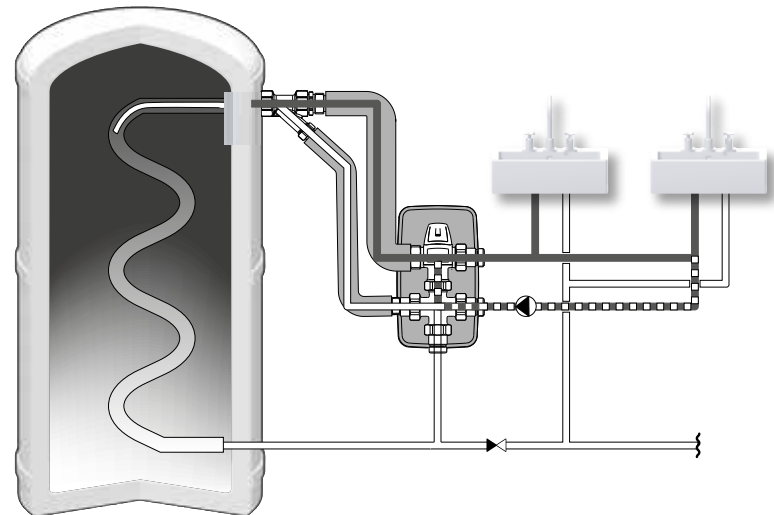
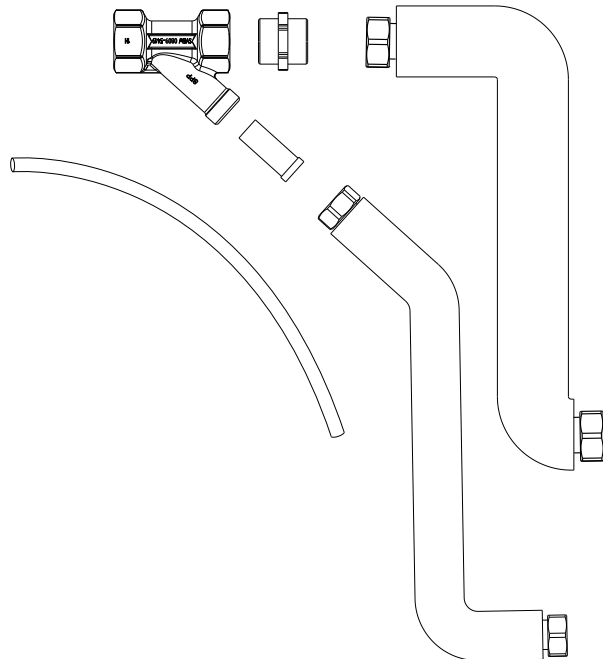
CE  
PED 2014/68/EU, article 4.3



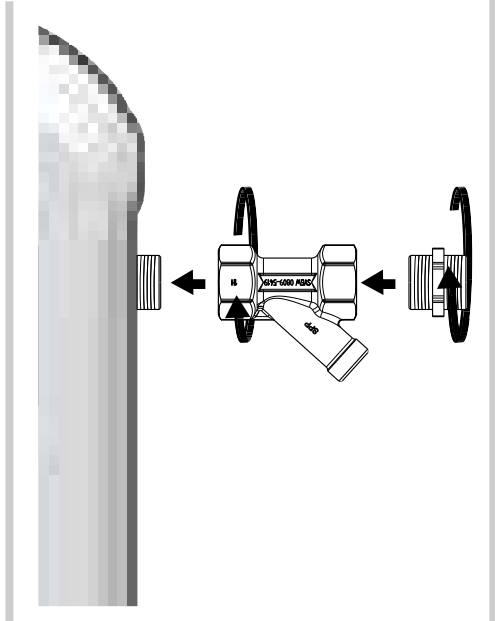
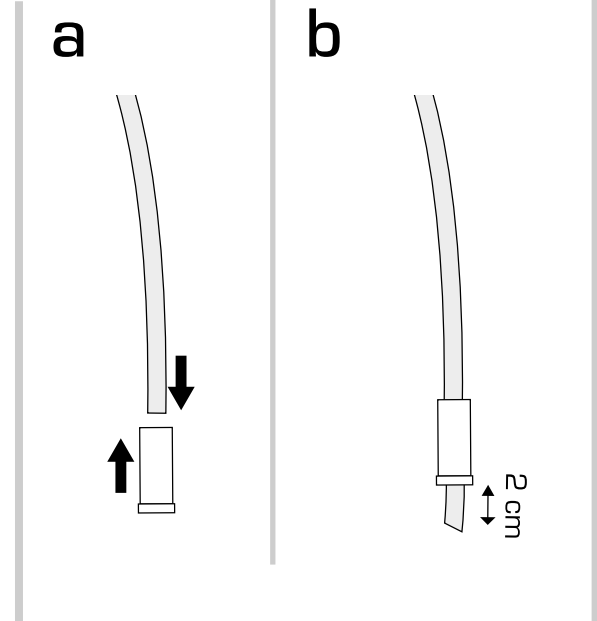
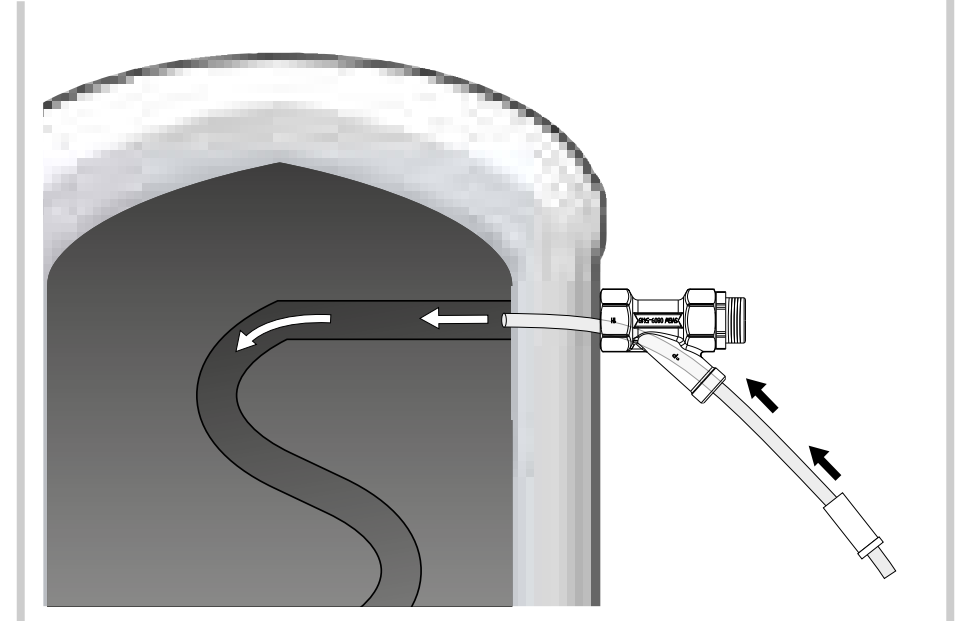
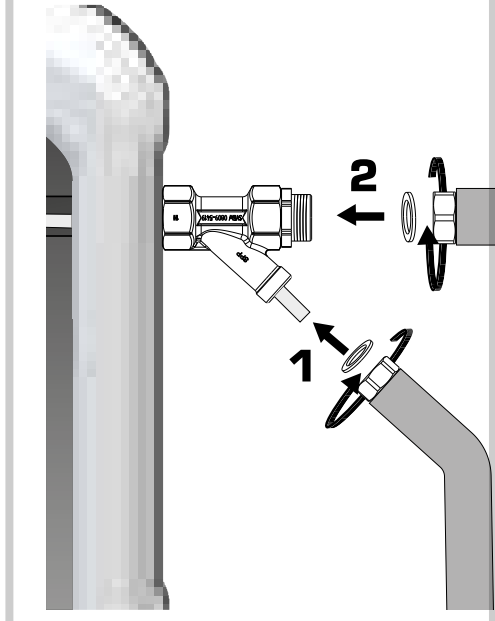
VTR801



VTR322



Piping Schematics are General Representations

**1****2****3****4****5**