

IMMERSION DOUBLE THERMOSTAT

SERIES TIB100

ESBE TIB100 is a combination of STB and ON/OFF thermostat with immersion pocket intended for automatic temperature control and safety function in case of uncontrolled temperature increase in heating devices.



TIB121

OPERATION

The ESBE TIB100 is a combination of temperature safety limiter (STB) and temperature regulator (TR), consisting of temperature probes connected to switches. The purpose of the device is to regulate the temperature of water on the heating device via TR (ON/OFF working principle) which is equipped with a knob for easy temperature adjustments. The STB is a safety thermostat which shutoff the heating device when the uncontrolled increase of temperature occurs – manual reset is required.

FUNCTION

The TR thermostat has a temperature setting via knob in a range 0°C – 90°C. According to the temperature setting ON/OFF control of the heating devices is provided. The temperature is measured via the sensor and when the set temperature is reached the switch is released and the device which is connected to the thermostat is turned off. The STB function is a safety function with factory presetting on 110°C (available setting in a range of 90°C-110°C). If uncontrolled increase of the temperature occurs the switch is released and the device which is connected to the thermostat is turned off, in this case a manual reset is needed.

MOUNTING

The TIB100 can be mounted directly on any device which has a place for the immersion pocket and sensor.

TECHNICAL DATA

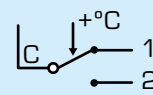
Contacts rating adjustable thermostat: _ C1 10(2,5)A /250V~
 _____ C2 6(2,5)A NC/250V~
 Contacts rating limiter thermostat: ____ N-C 10(2,5)A/250V~
 Enclosure rating: _____ IP40
 Control range: _____ 0 - 90 ± 3°C
 Limit temperature: _____ (90 -110°C) Fixed 110°C +0/-6°C
 Fail safe: _____ Yes
 Maximum ambient temperature: _____ 80°C
 Maximum bulb temperature: _____ 125°C
 Temperature differential, STB: _____ ΔT 15 ± 8K
 TR: _____ ΔT 4 ± 1K

Material _____
 Cover: _____ Plastic
 Sensor: _____ Copper

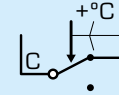
CE LVD 2014/35/EU
 RoHS3 2015/863/EU

UK SI 2016 No. 1101
 CA SI 2012 No. 3032

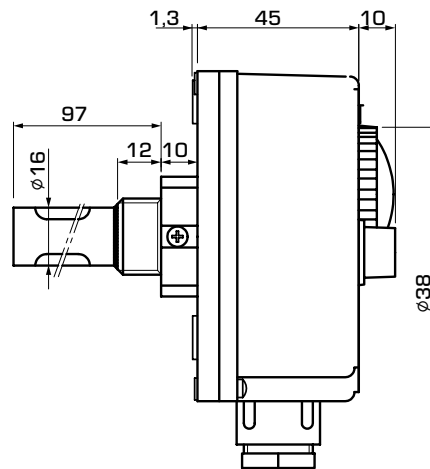
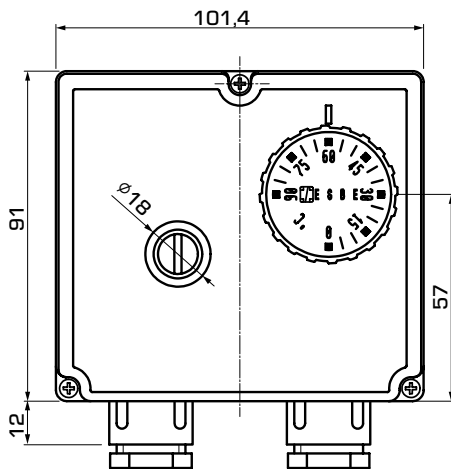
WIRING



Regulation



Limitation



SERIES TIB100

Art. No.	Reference	Immersion sleeve [mm]	Connection	Weight [kg]	Note
86902100	TIB121	100	G 1/2"	0,38	