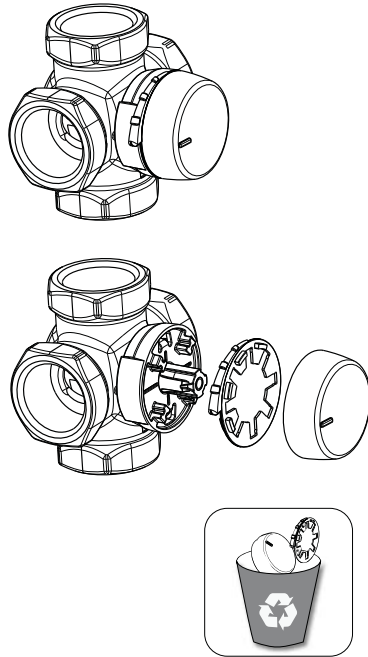


# ESBE ADAPTER KIT VRG801

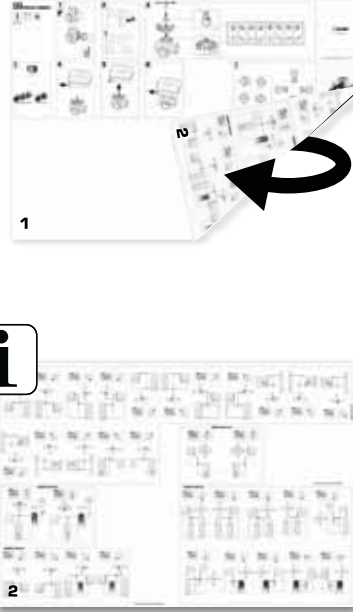


Series 90C

**1**

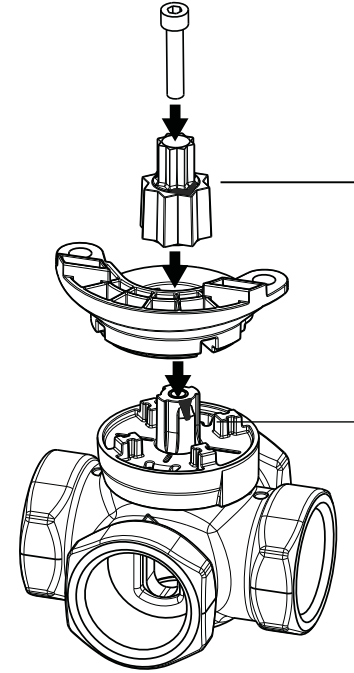


**2**



**3**

Series VRG, VRB



90C

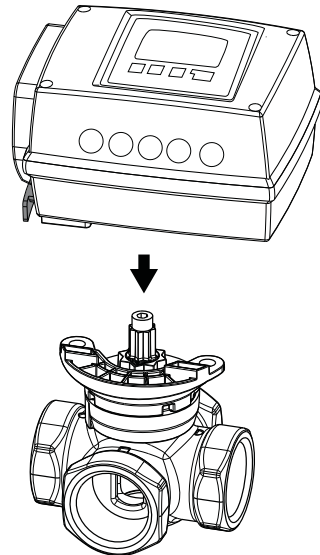


VRG130, VRG230, VGR330

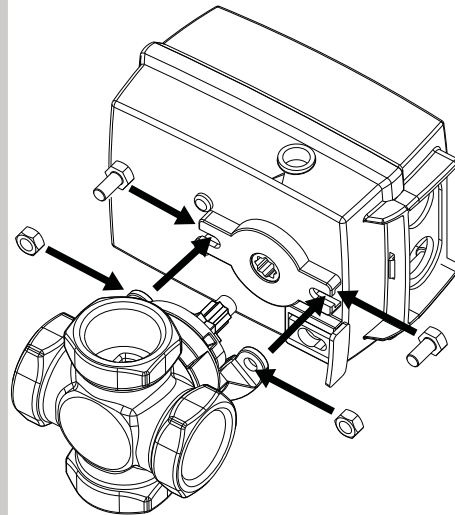


VRG140, VRB140

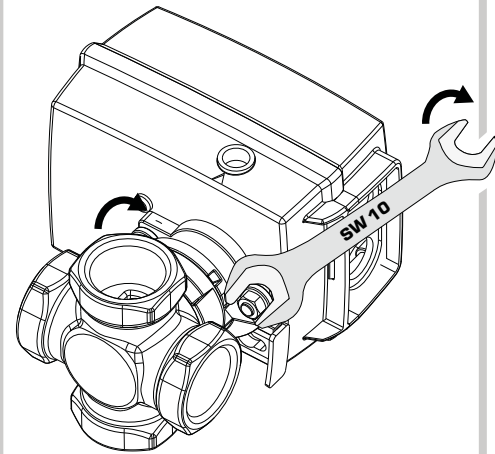
**4**

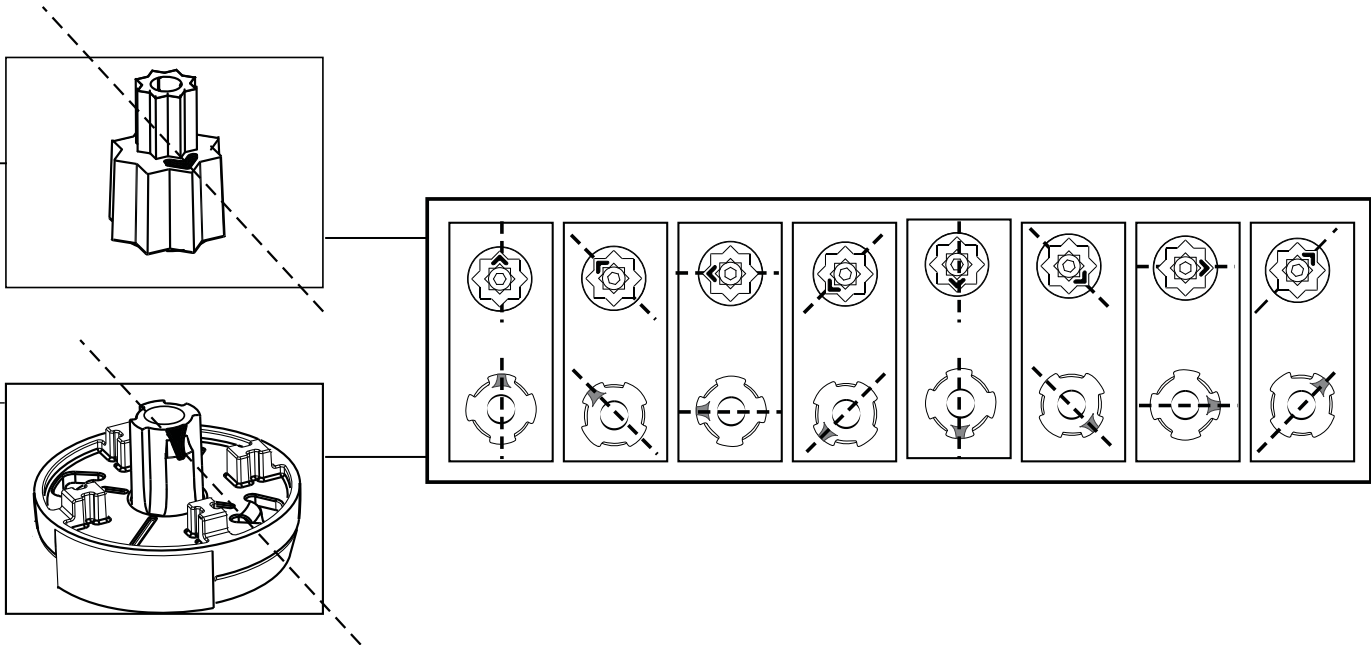


**5**



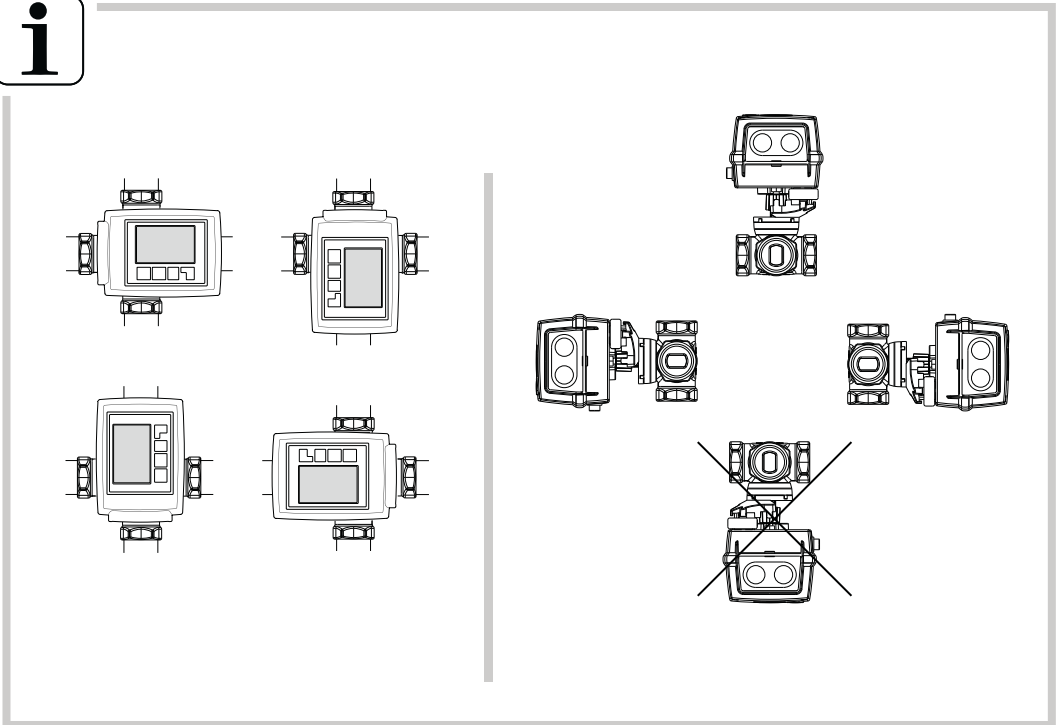
**6**





www.esbe.se

Mtrl.nr: 9814 04 06 • Ritn.nr: 8310 utg. D • Rev. 1109



**ADAPTER KIT VRG801**



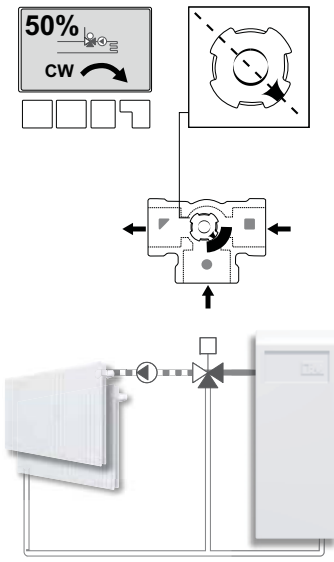
NO.1 IN HYDRONIC SYSTEM CONTROL



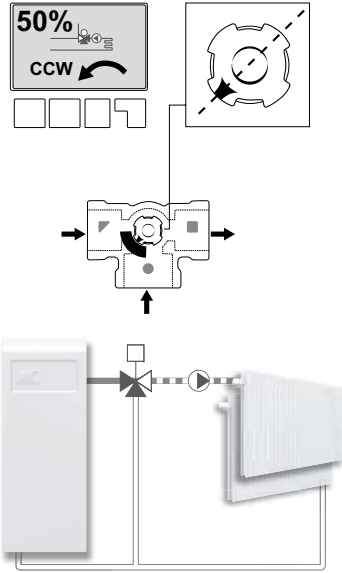


# SERIES VRG130

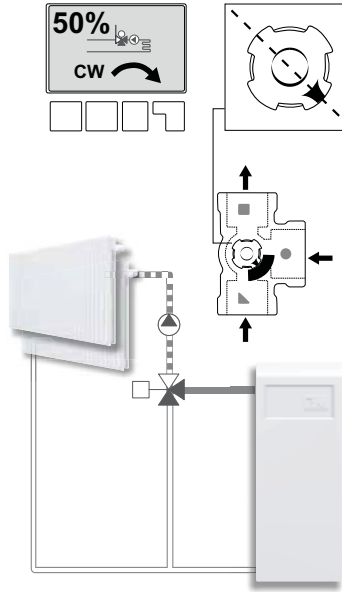
**a**



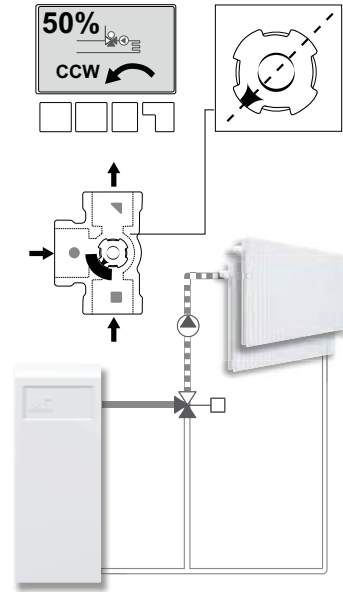
**b**



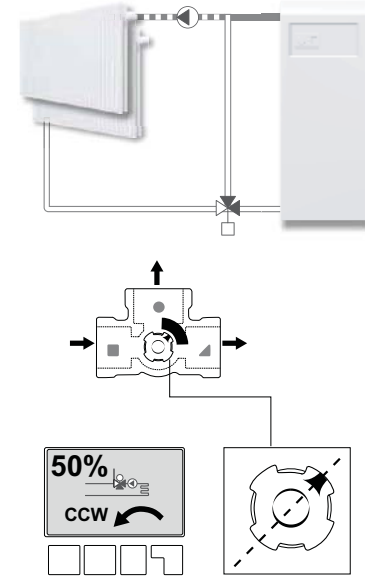
**c**



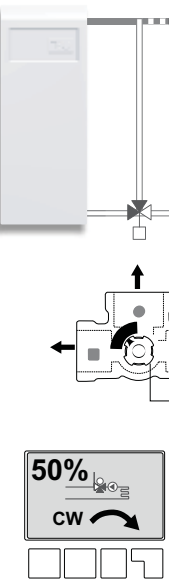
**d**



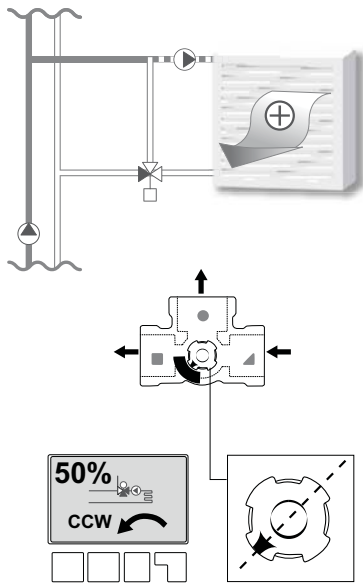
**e**



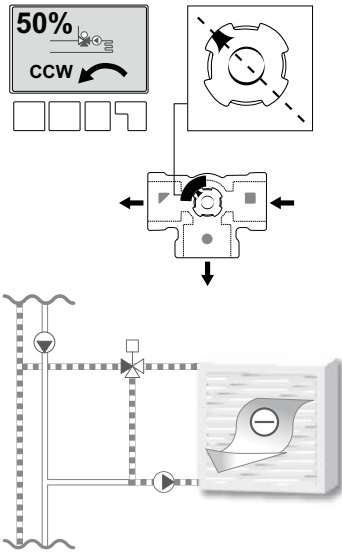
**f**



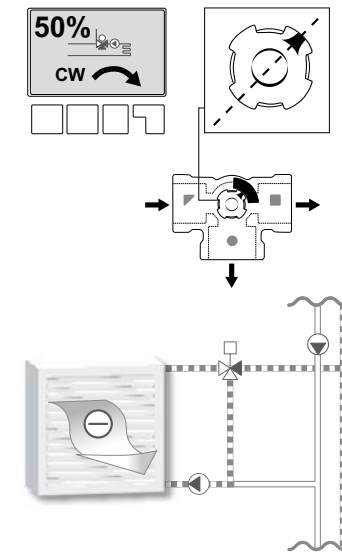
**l**



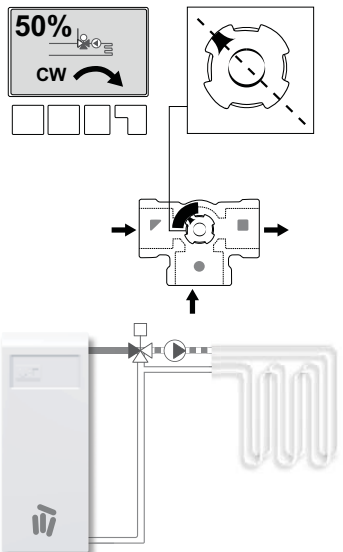
**m**



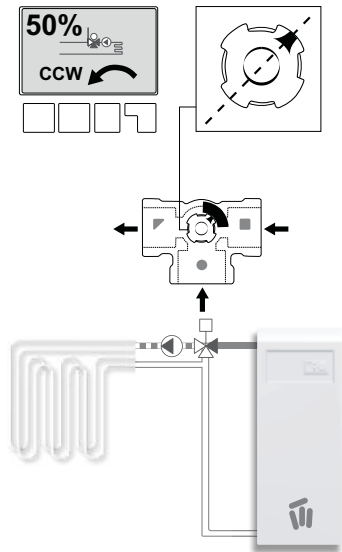
**n**

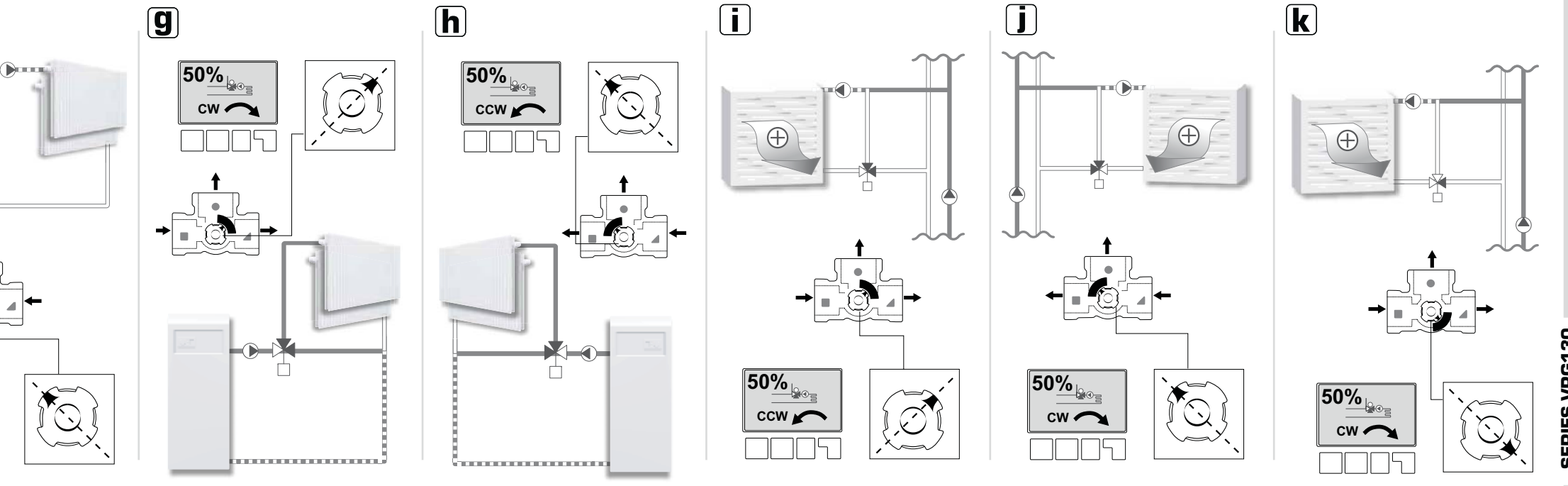


**o**



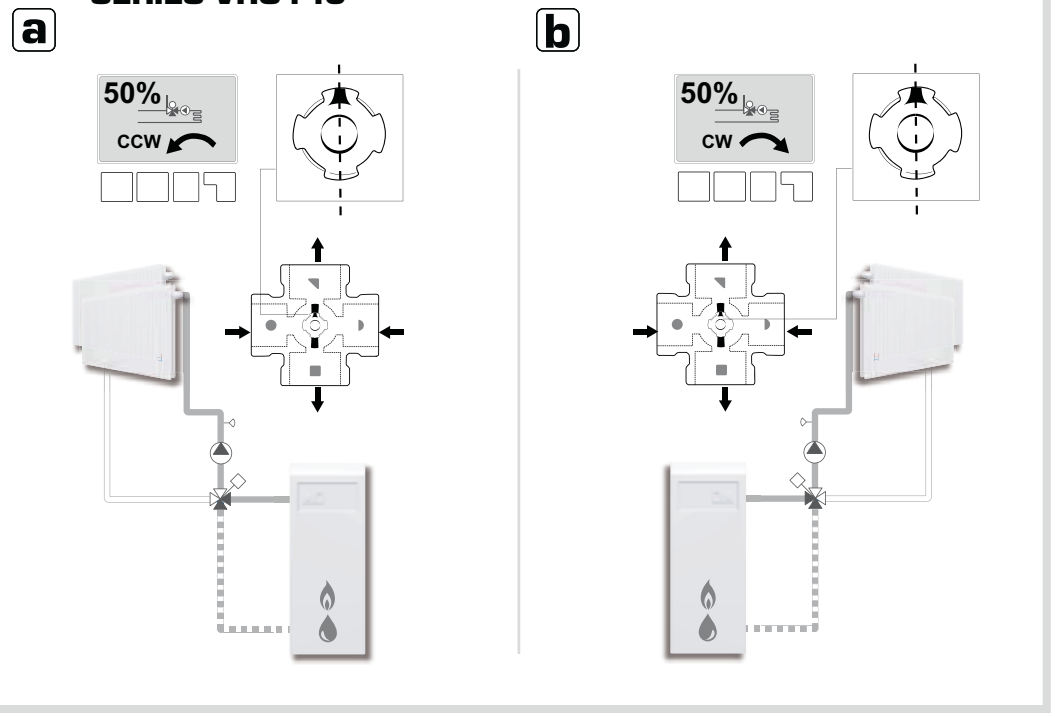
**p**



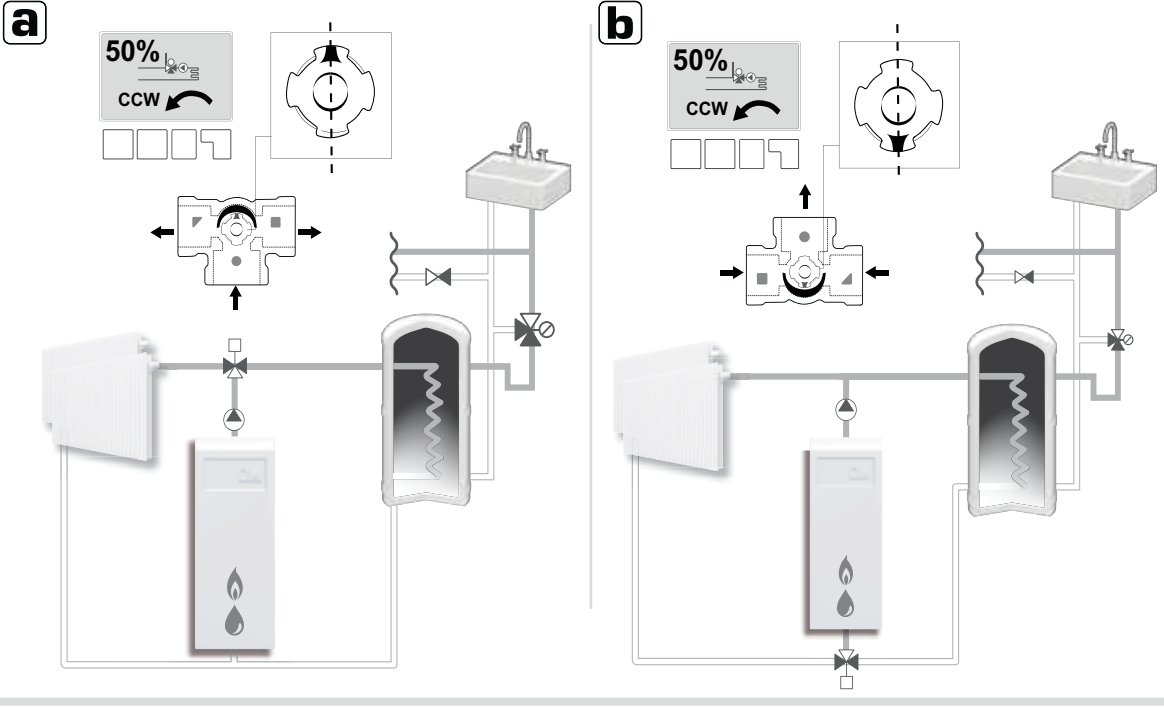


SERIES VRG130

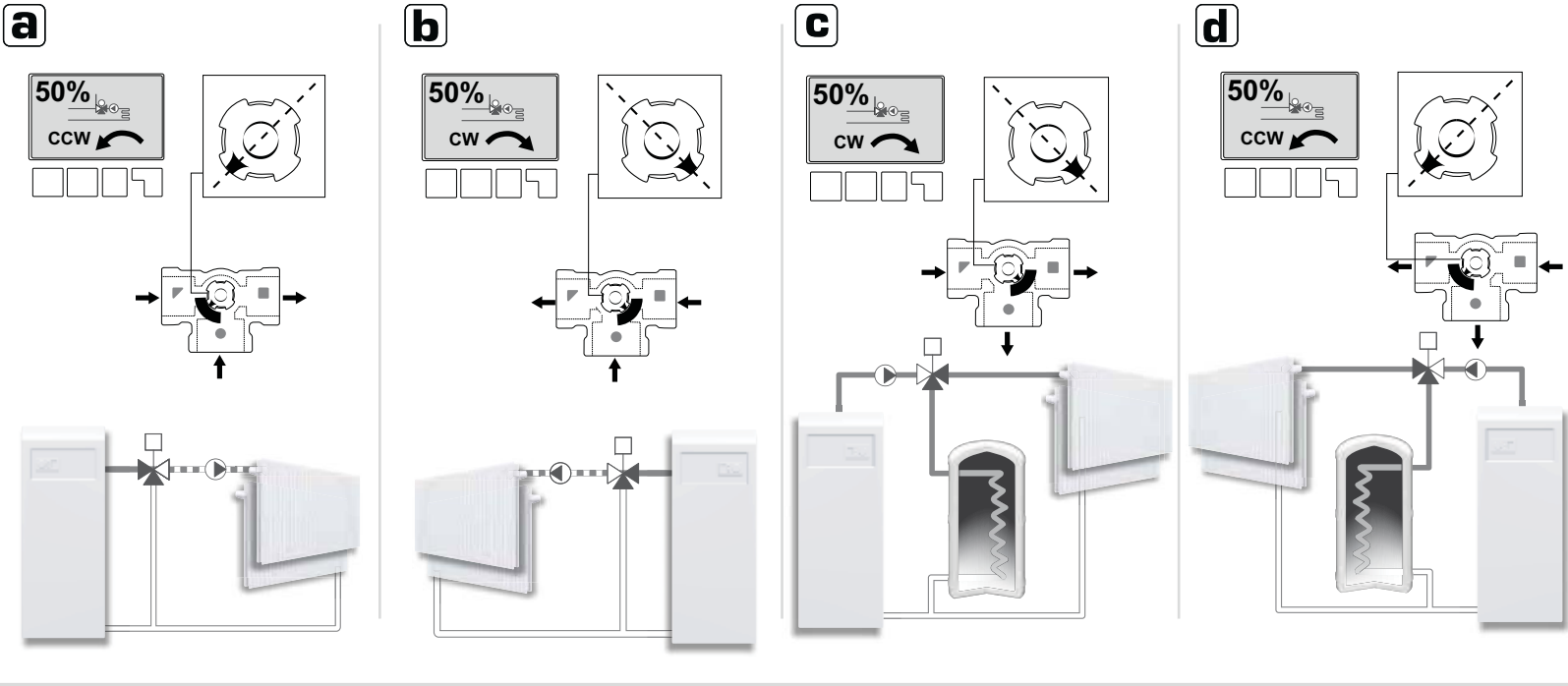
**SERIES VRG140**



## SERIES VRG230



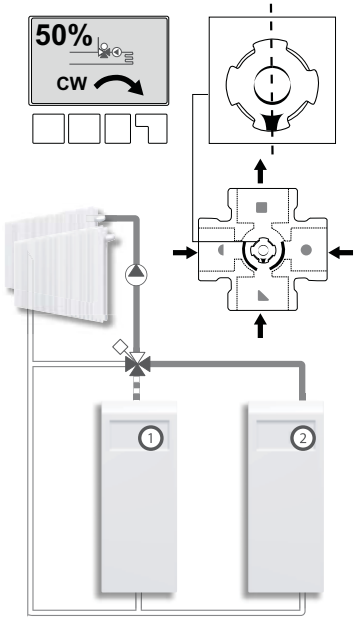
## SERIES VRG330



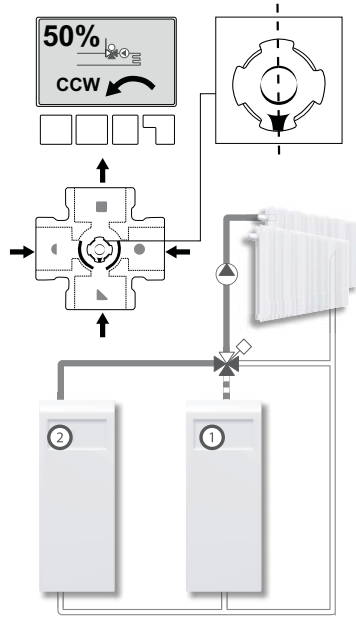
\*We would like to pinpoint to the existence of a German patent DE 19821256C5 affecting the usage of bivalent 4-way valves in liquid circulation heating systems. In this patent the usage of a 4-way bivalent valve in a type of heating system is protected, in which 2 different heating circuits are operated in parallel, where the return of the first circuit is utilized as heat source for the second circuit. The patent also covers the use of a 4-way bivalent valve in a heating system, where the return of the first circuit is utilized as alternative secondary heat source for the floor heating. Such a utilization of our bivalent 4-way valve without approval of the patent holder is forbidden. All other applications of our product group VRB are without restrictions possible.

# SERIES VRB140

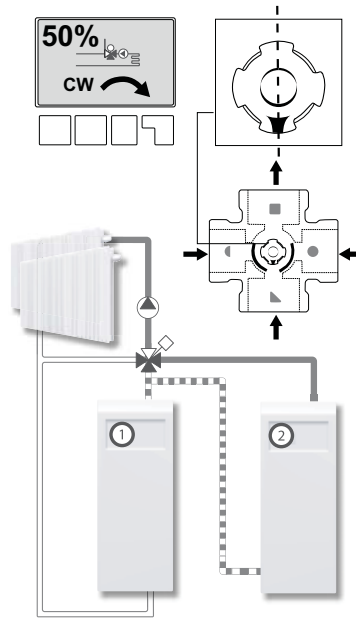
**a**



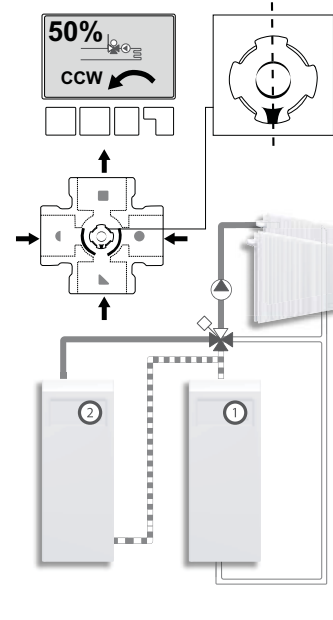
**b**



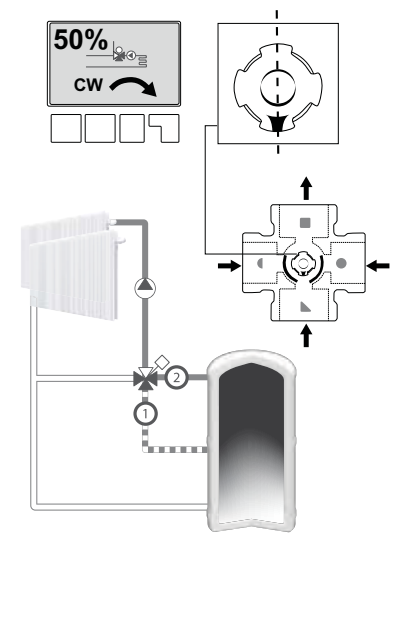
**c**



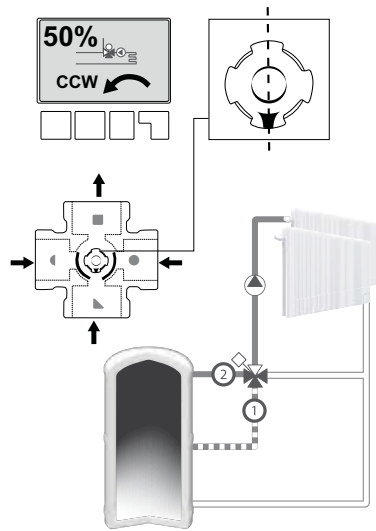
**d**



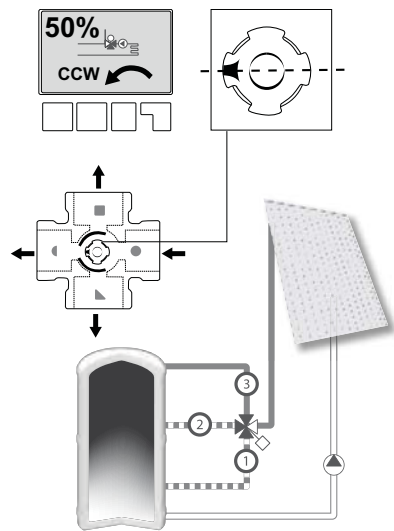
**e**



**f**



**g**



**h**

