

ZONE VALVES

# MOTORIZED ZONE VALVE SERIES ZRS220

The ESBE Series ZRS220 consists of motorized spring return 2-way zone valves available in DN 15-32, PN16 with internal thread connection.



ZRS220

### OPERATION

The ESBE Series ZRS220 is a range of 2-way motorized zone valve with spring return actuator for use in heating and cooling system. The valve can easily be manually operated by the lever on the side of the actuator.

The actuator is controlled by 2-point signal with spring return function and is recommended for on/off function, available for 230V AC, 50/60 Hz power supply.

Actuator is assembled on the valve with a screw attachment that allows to assembly/disassembly the actuator in a secure, simple and rapid way even when system is pressurized.

The product is intended to be used in closed circuits only.

### TECHNICAL DATA

#### Valve:

Pressure class: \_\_\_\_\_ PN 16  
 Media temperature: \_\_\_\_\_ max. +94°C  
 \_\_\_\_\_ min. +2°C  
 Media: \_\_\_\_\_ Water / Glycol mixtures, max. 50%.  
 (above 20% admixture, the pump data must be checked)  
 Working pressure: \_\_\_\_\_ 1,6 MPa (16 bar)  
 Max. differential pressure: \_\_\_\_\_ see diagram  
 Leakrate in % of flow: \_\_\_\_\_ 0  
 Connections: \_\_\_\_\_ Internal thread (G), ISO 228/1 B  
 Media: \_\_\_\_\_ Heating water (in accordance with VDI2035)  
 \_\_\_\_\_ Water / Glycol mixtures, max. 50%  
 \_\_\_\_\_ Water / Ethanol mixtures, max. 28%

Material  
 Valve body: \_\_\_\_\_ Brass CW 614N  
 Ball: \_\_\_\_\_ NBR  
 O-rings: \_\_\_\_\_ EPDM

#### WIRING

Please see the Installation Instruction

#### Actuator:

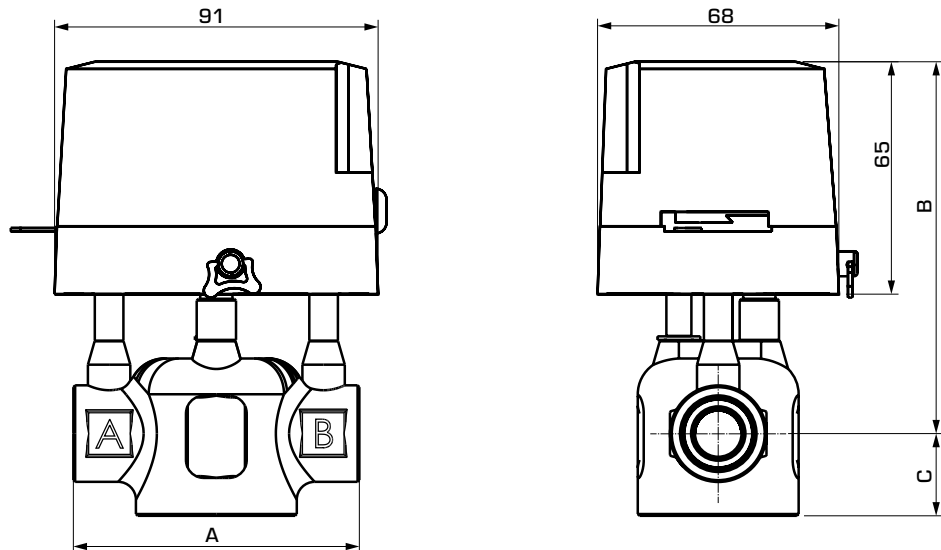
Ambient temperature: \_\_\_\_\_ max. +60°C  
 \_\_\_\_\_ min. 0°C  
 Enclosure rating: \_\_\_\_\_ IP44  
 Protection class: \_\_\_\_\_ I  
 Connection cable: \_\_\_\_\_ 1 meter  
 Power supply: \_\_\_\_\_ 230 V AC, 50/60 Hz  
 Control signal: \_\_\_\_\_ 2-point (2-wire spring return)  
 Power consumption: \_\_\_\_\_ 6 VA  
 Running time, opening: \_\_\_\_\_ 15 seconds  
 closing: \_\_\_\_\_ 5 seconds

**CE** LVD 2014/35/EU  
 EMC 2014/30/EU  
 RoHS3 2015/863/EU

**UK CA** SI 2016 No. 1101  
 SI 2016 No. 1091  
 SI 2012 No. 3032

PED 2014/68/EU, article 4.3 / SI 2016 No. 1105 (UK)

# MOTORIZED ZONE VALVE SERIES ZRS220



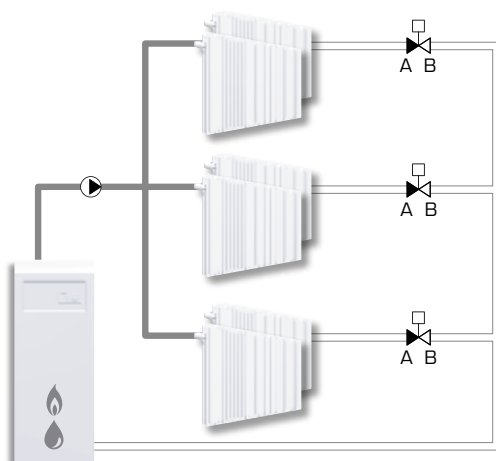
ZRS220

## SERIES ZRS224, INTERNAL THREAD

Art. No.	Reference	DN	Kvs*	Max. differential pressure [kPa]	Connection	A	B	C	Weight [kg]	Note
43122100	ZRS224	15	3,2	200	G 1/2"	80	103	21	1,01	
43122200		20	4,6	150	G 3/4"	89			1,05	
43122300		25	5,7	100	G 1"	93	23	1,13		
43122400		32	10	80	G 1 1/4"	105	30	1,50		

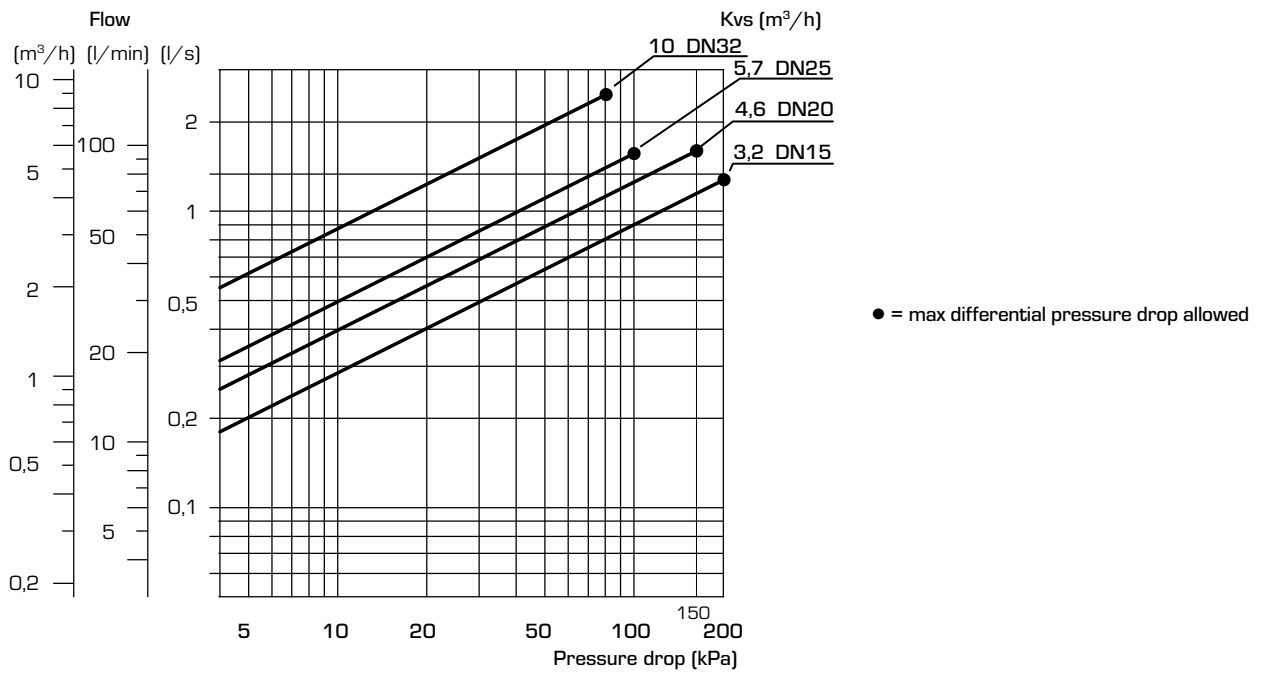
\* Kvs-value measured as m<sup>3</sup>/h at a pressure drop of 1 bar.

## INSTALLATION EXAMPLES



# MOTORIZED ZONE VALVE SERIES ZRS220

## PRESSURE DROP DIAGRAM



The product is intended to be used in closed circuits only.