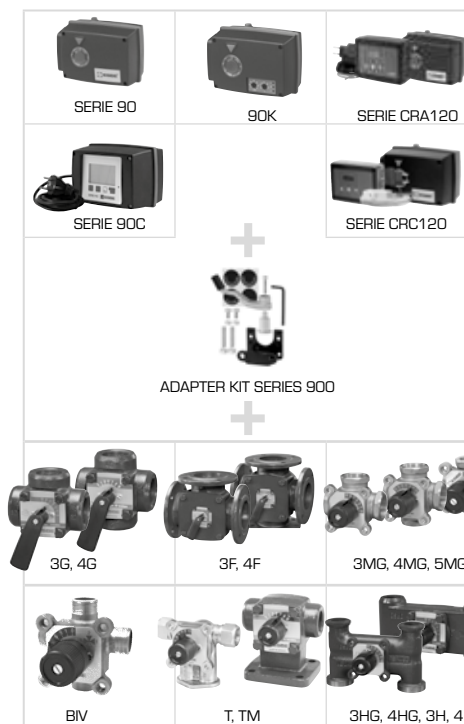
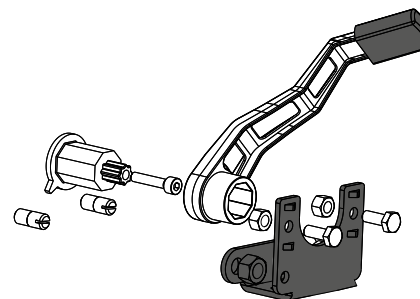




Adaptor kit
SERIES 900



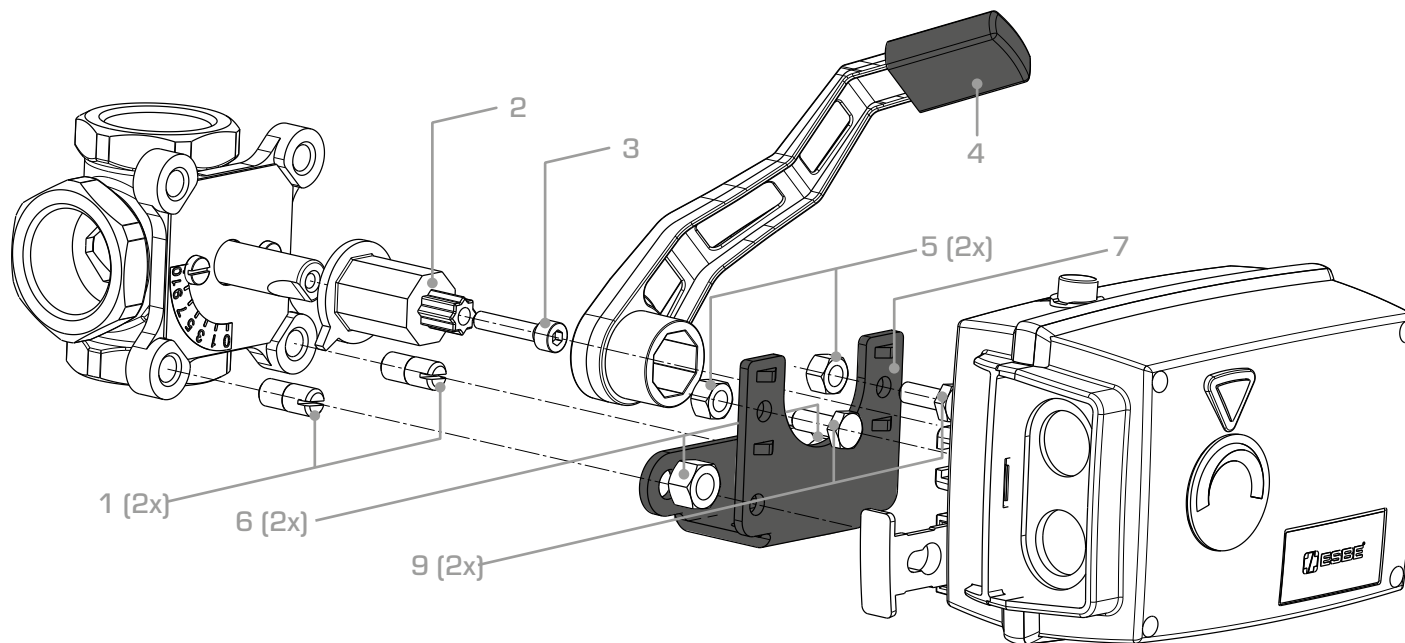
Series 90
Series 90C
Series 90K
Serie CRA120
Serie CRC120



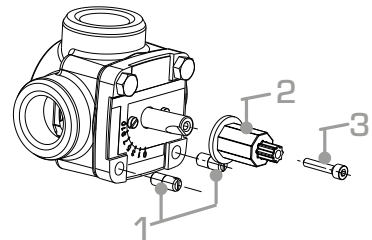
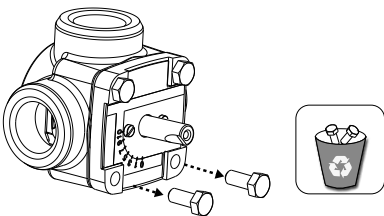
Mtrl.nr: 98140307 • Ritn.nr: 9153 vers E • Rev. 2020-10-26



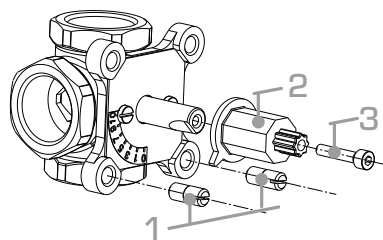
Series **MG, G, F, BIV, H/HG, T/TM**



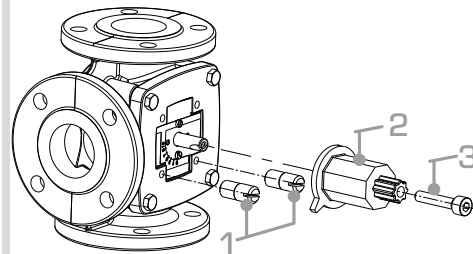
1 Series **G**
a



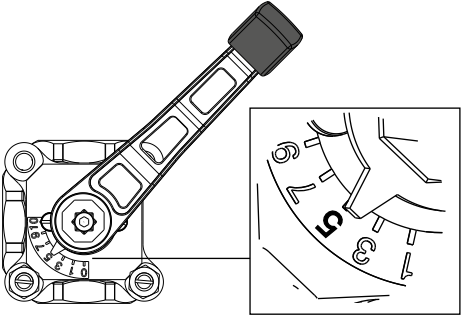
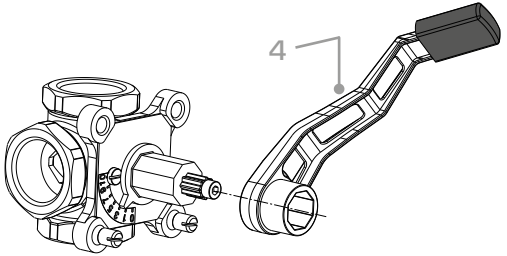
1 Series **MG, BIV, H/HG, T/TM**
b



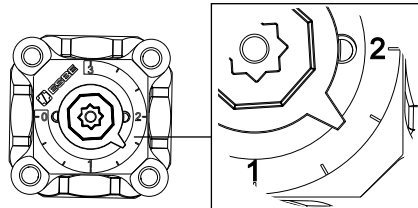
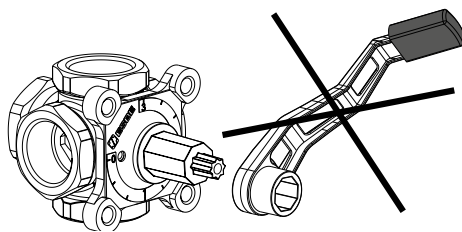
1 Series **F**
c



2 Series **MG, G, F, BIV, H/HG, T/TM**
a

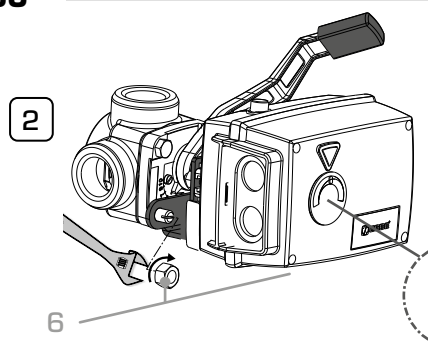
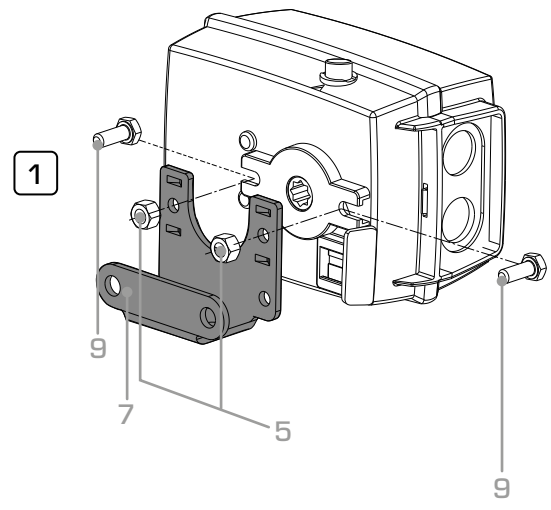


2 Series **5MG**
b

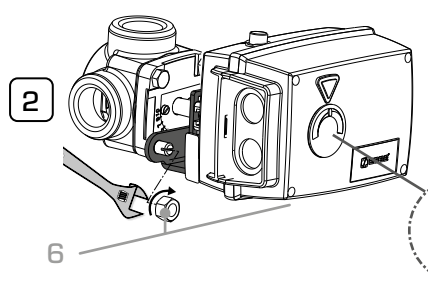
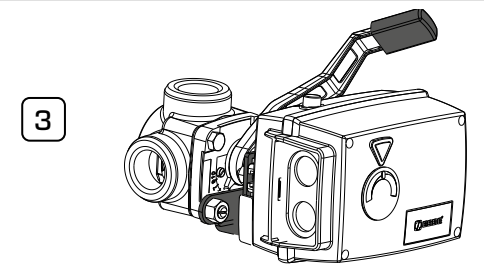


3 Series 90, 90K, CRA120, CRC120 - DN15 - 150

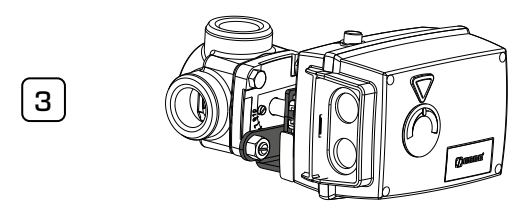
a



i Series 90
< 180°

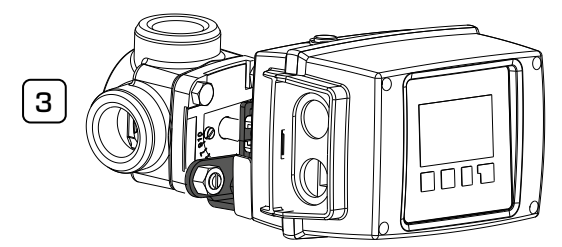
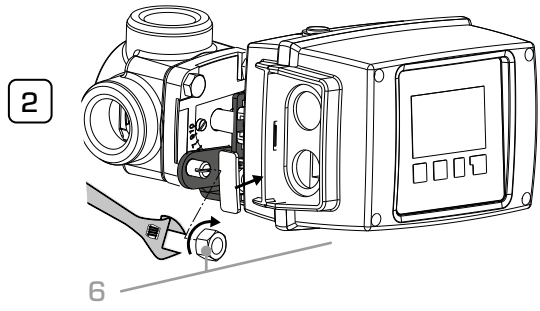
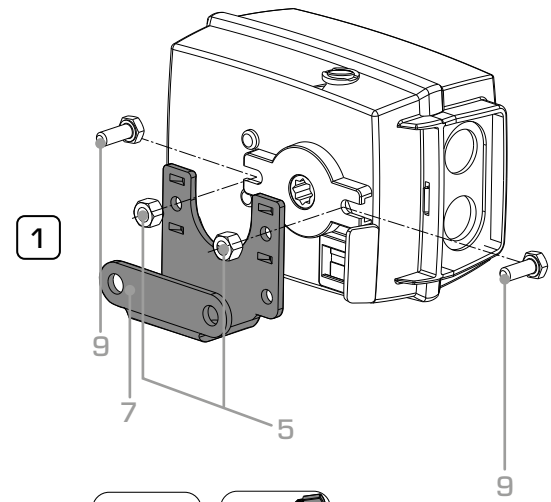


i Series 90
> 180°



3 Series 90C - DN15 - 150

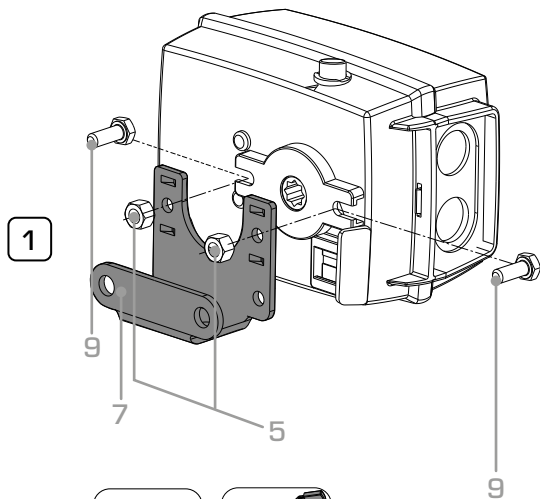
b



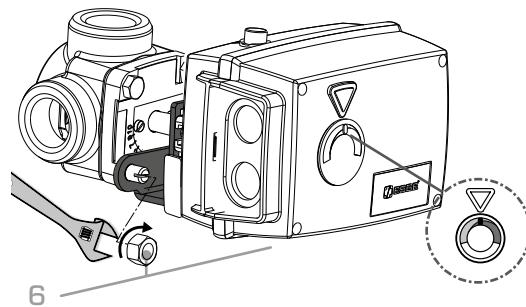
3

Series **95M-270** - **DN15 - 150**

C



2



3

