

ZONE VALVES

MOTORIZED ZONE VALVE SERIES ZRS220

The ESBE Series ZRS220 consists of motorized spring return 2-way zone valves available in DN 15-32, PN16 with internal thread connection.



ZRS220

OPERATION

The ESBE Series ZRS220 is a range of 2-way motorized zone valve with spring return actuator for use in heating and cooling system. The valve can easily be manually operated by the lever on the side of the actuator.

The actuator is controlled by 2-point signal with spring return function and is recommended for on/off function, available for 230V AC, 50/60 Hz power supply.

Actuator is assembled on the valve with a screw attachment that allows to assembly/disassembly the actuator in a secure, simple and rapid way even when system is pressurized.

The product is intended to be used in closed circuits only.

TECHNICAL DATA

Valve:

Pressure class: _____ PN 16
Media temperature: _____ max. +94°C
_____ min. +2°C
Media: _____ Water / Glycol mixtures, max. 50%.
(above 20% admixture, the pump data must be checked)
Working pressure: _____ 1,6 MPa (16 bar)
Max. differential pressure: _____ see diagram
Leakrate in % of flow: _____ 0
Connections: _____ Internal thread (G), ISO 228/1 B

Material

Valve body: _____ Brass CW 614N
Ball: _____ NBR
O-rings: _____ EPDM

WIRING

Please see the Installation Instruction

Actuator:

Ambient temperature: _____ max. +60°C
_____ min. 0°C
Enclosure rating: _____ IP44
Protection class: _____ I
Connection cable: _____ 1 meter
Power supply: _____ 230 V AC, 50/60 Hz
Control signal: _____ 2-point (2-wire spring return)
Power consumption: _____ 6 VA
Running time, opening: _____ 15 seconds
closing: _____ 5 seconds



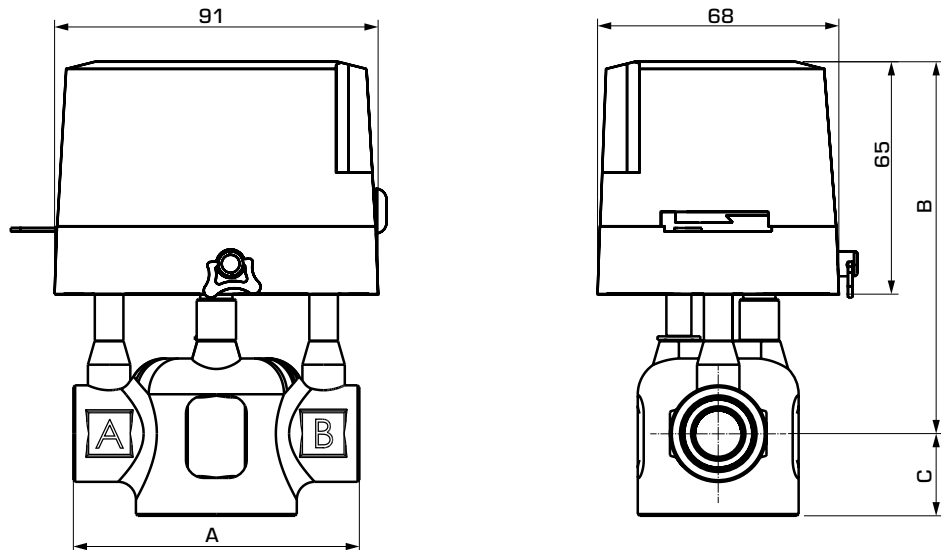
LVD 2014/35/EU
EMC 2014/30/EU
RoHS3 2015/863/EU



SI 2016 No. 1101
SI 2016 No. 1091
SI 2012 No. 3032

PED 2014/68/EU, article 4.3 / SI 2016 No. 1105 (UK)

MOTORIZED ZONE VALVE SERIES ZRS220



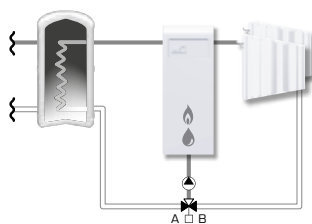
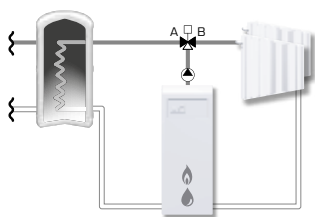
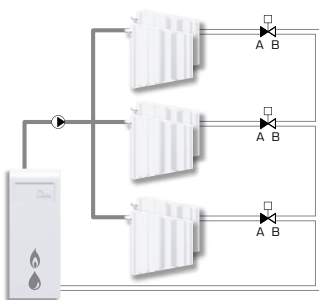
ZRS220

SERIES ZRS224, INTERNAL THREAD

Art. No.	Reference	DN	Kvs*	Max. differential pressure [kPa]	Connection	A	B	C	Weight [kg]	Note
43122100	ZRS224	15	3,2	200	G 1/2"	80	103	21	1,01	
43122200		20	4,6	150	G 3/4"	89			1,05	
43122300		25	5,7	100	G 1"	93	23	1,13		
43122400		32	10	80	G 1 1/4"	105	30	1,50		

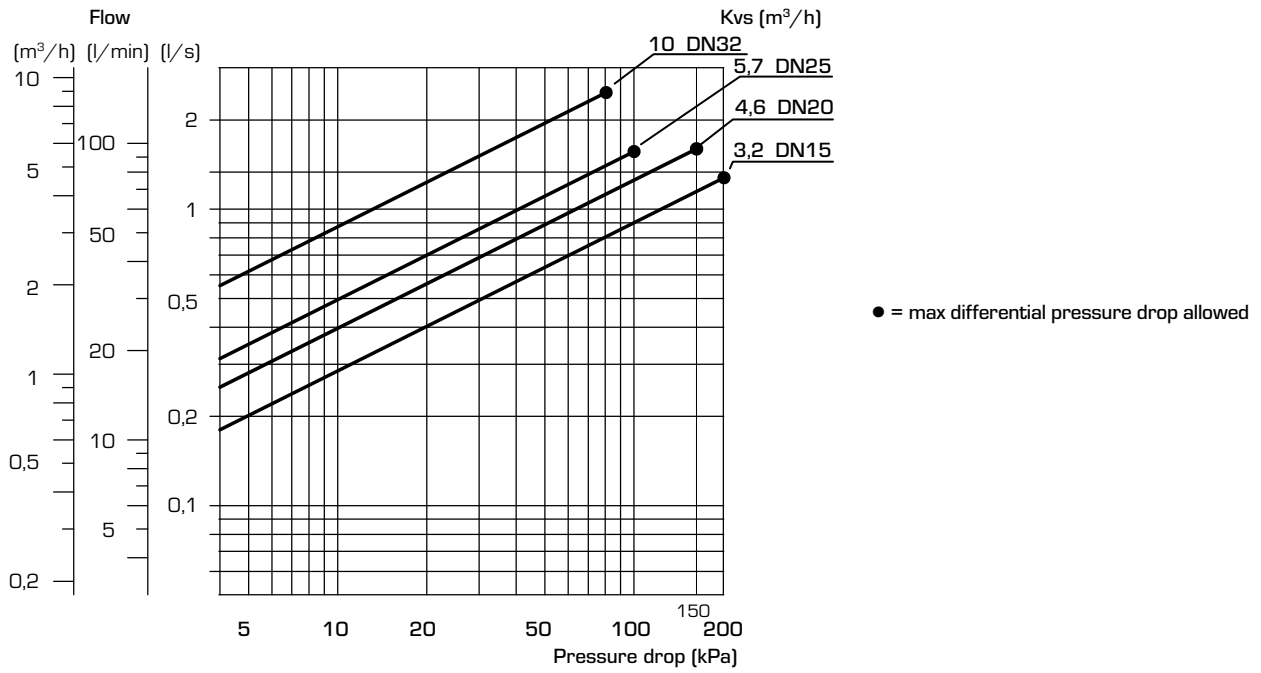
* Kvs-value measured as m³/h at a pressure drop of 1 bar.

INSTALLATION EXAMPLES



MOTORIZED ZONE VALVE SERIES ZRS220

PRESSURE DROP DIAGRAM



The product is intended to be used in closed circuits only.