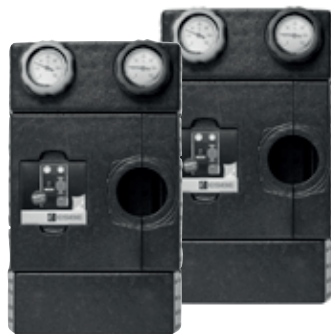




ESBE AB
Bruksgatan 22
SE-333 75 Reftele
www.esbe.eu



ESBE System Units
CIRCULATION UNIT Flexi



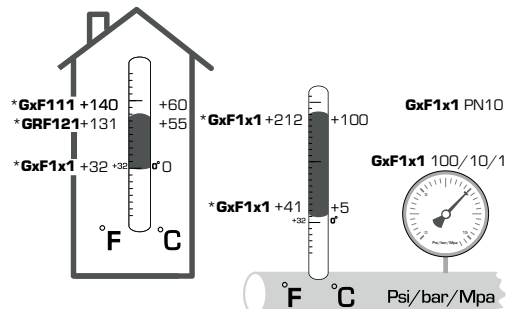
Series GDF111
Series GFF111

Series GRF111
Series GRF121



PED 2014/68/EU, article 4.3

SI 2016 No. 1105



*consider data for choosen pump

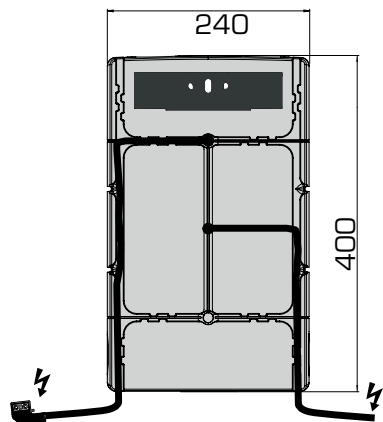


SERIES	FUNCTION
ESBE GDF111	
ESBE GFF111	
ESBE GRF111	
ESBE GRF121	

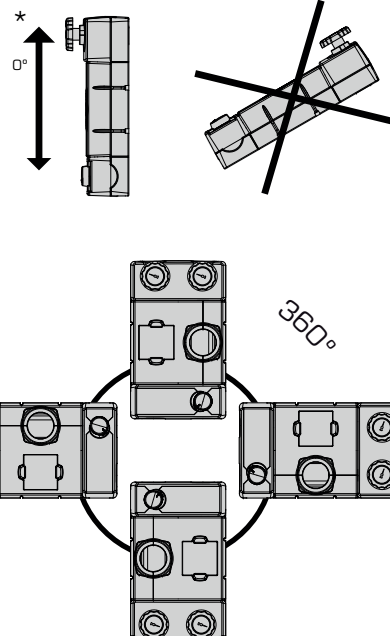
Mtrl.nr: 98141114 • Ritn.nr: 7944 • vers B • Rev. 2023-08-07



Dimensions • Cabling

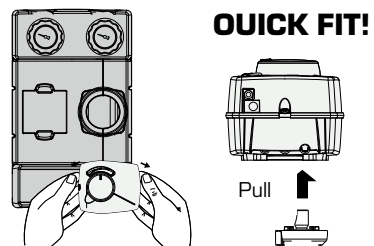


Mounting position



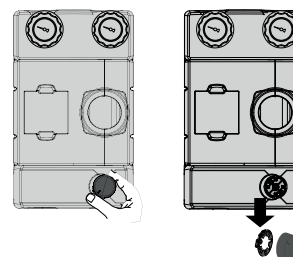
Remove actuator/controller

Series GRF121

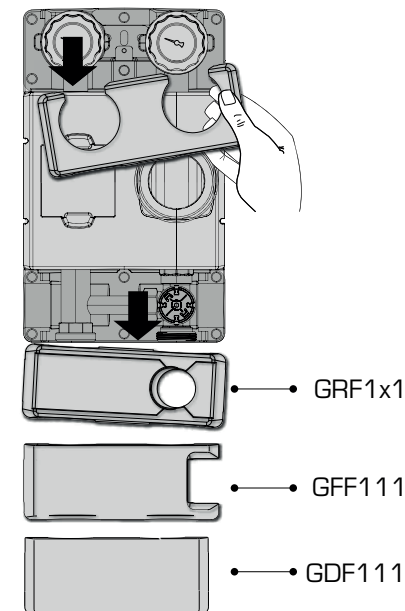


Remove knob

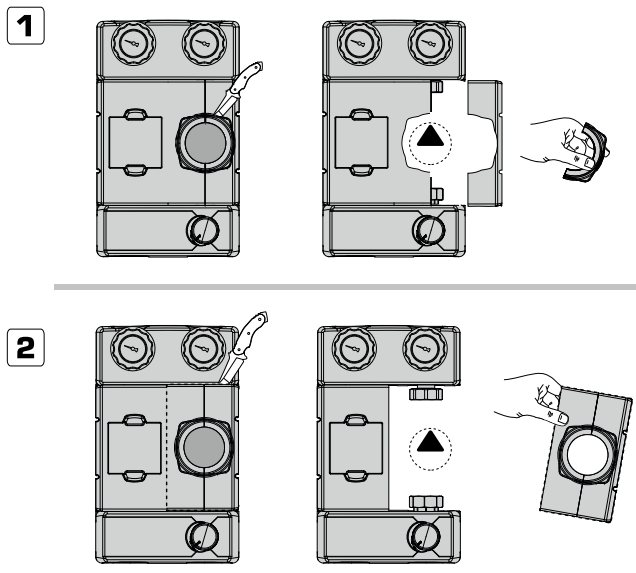
Series GRF111



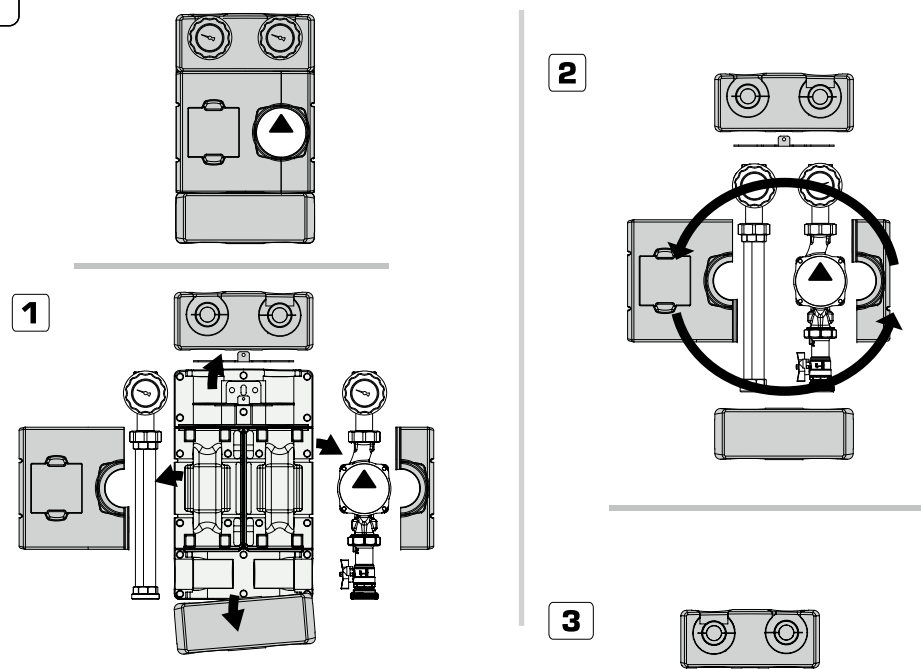
Remove insulation



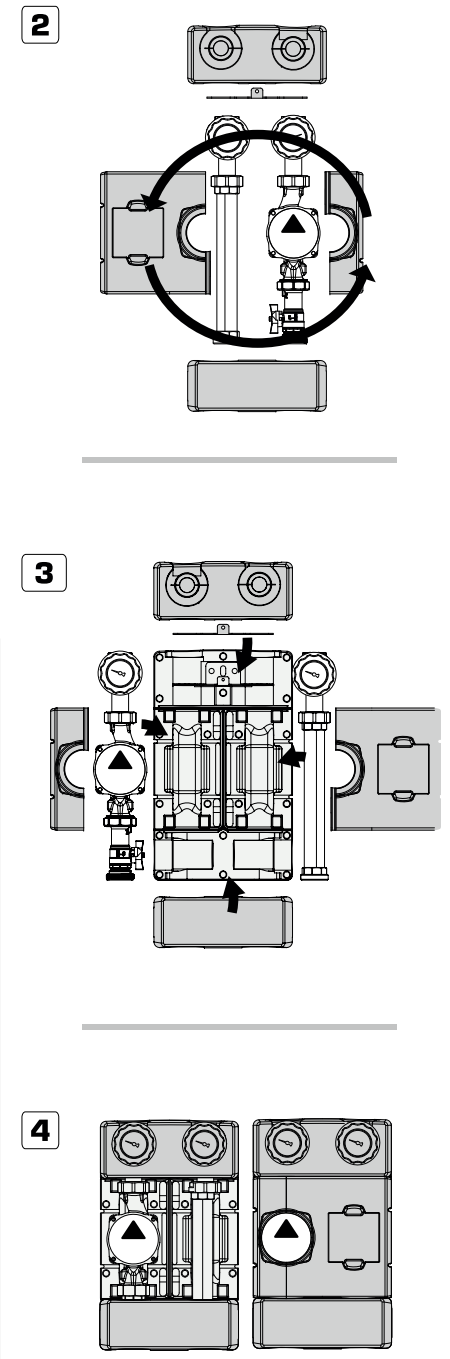
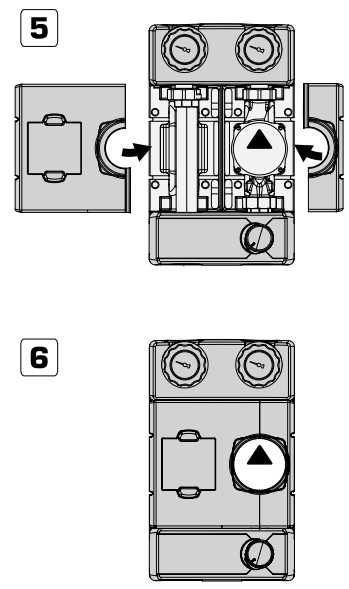
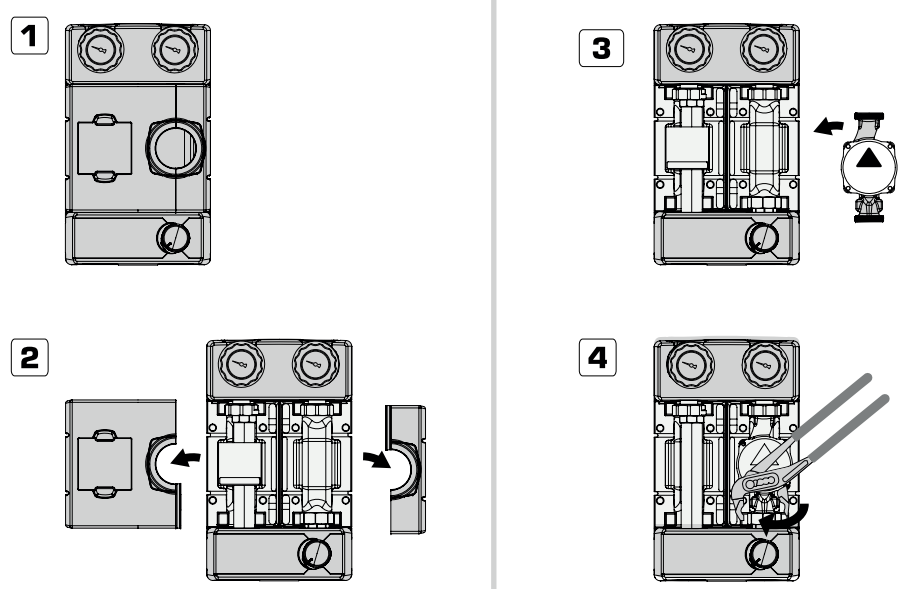
3 **i** — Examples of possible insulation adjustments



i Left - right transition

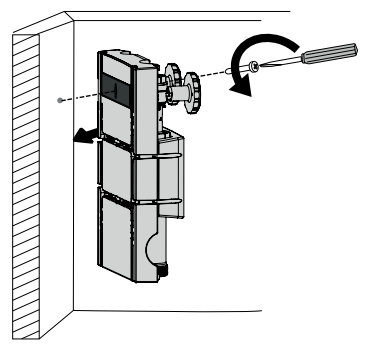


4 **i** — Example of pump installation



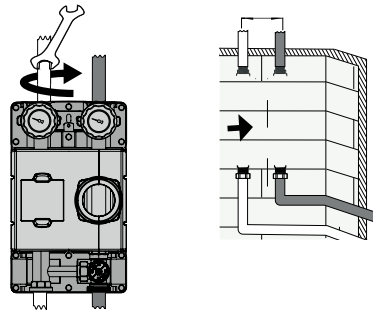
5

Assembling on wall

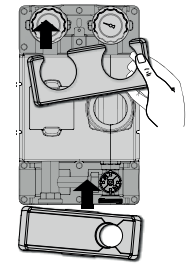


6

Fit supply pipes
40-50Nm c/c 125mm



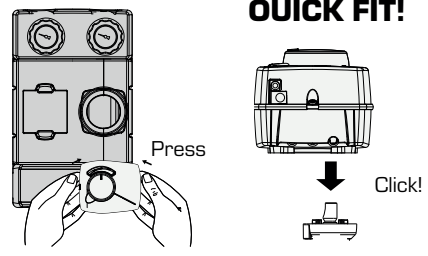
Assemble insulation



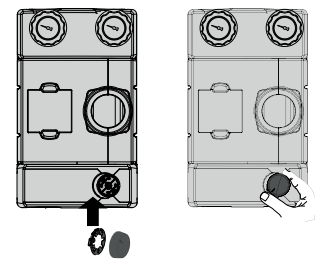
7

Assemble actuator/controller Series GRF121

QUICK FIT!

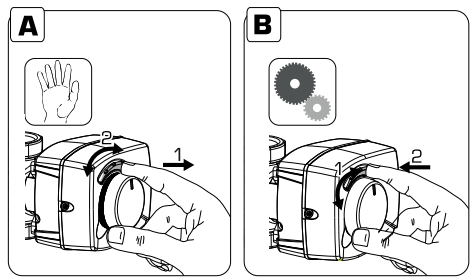


Assemble knob Series GRF111



i

Commissioning actuator

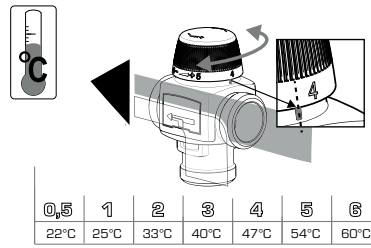


<https://esbe.eu/group/products/rotary-actuators>

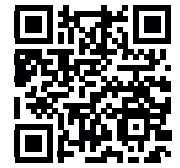
i

Commissioning fixed temperature Series GFF111

Series GFF111



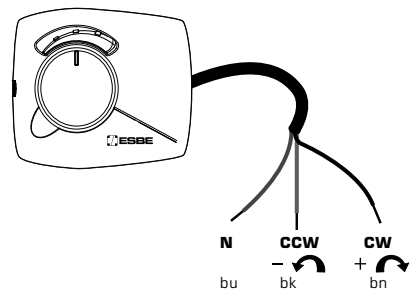
0,5	1	2	3	4	5	6
22°C	25°C	33°C	40°C	47°C	54°C	60°C



<https://esbe.eu/group/products/thermostatic-mixing-valves>

i

Electric installation



N
bu

CCW
- bk

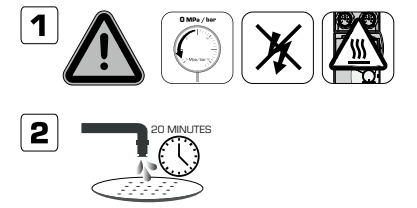
CW
+ bn

www.esbe.eu

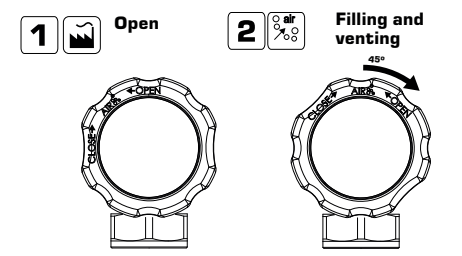
i

Commissioning

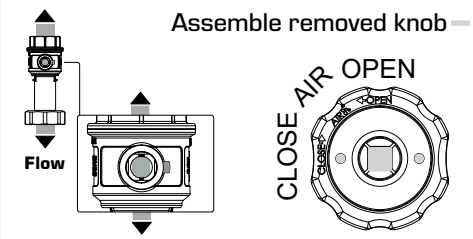
Preparation



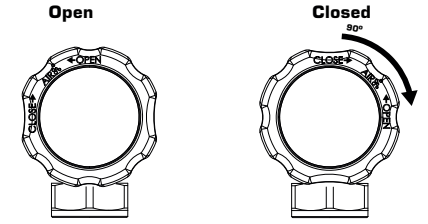
Filling and venting



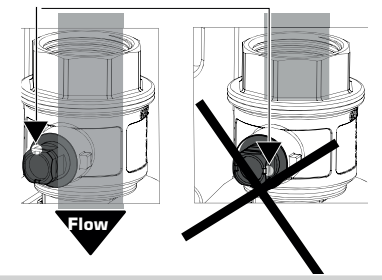
Assemble removed knob



Checkvalve position



White mark, indicate check valve position



8

Expose application info using leaflet

