

DIVERTING VALVES

MOTORIZED ZONE VALVE SERIES ZRS230

The ESBE Series ZRS230 consists of motorized spring return 3-way zone valves available in DN 15-32, PN16 with internal thread connection.



ZRS230

OPERATION

The ESBE Series ZRS230 is a range of 3-way diverting motorized zone valve with spring return actuator for use in heating and cooling system. The valve can easily be manually operated by the lever on the side of the actuator

The actuator is controlled by 2-point signal with spring return function and is recommended for diverting function, available for 230V AC, 50/60 Hz power supply.

Actuator is assembled on the valve with a screw attachment that allows to assembly/disassembly the actuator in a secure, simple and rapid way even when system is pressurized.

The product is intended to be used in closed circuits only.

TECHNICAL DATA

Valve:

Pressure class: _____ PN 16
Media temperature: _____ max. +94°C
_____ min. +2°C
Working pressure: _____ 1,6 MPa (16 bar)
Max. differential pressure: _____ see diagram
Leakrate in % of flow: _____ 0
Connections: _____ Internal thread (G), ISO 228/1 B
Media: _____ Heating water (in accordance with VDI2035)
_____ Water / Glycol mixtures, max. 50%
(above 20% admixture, the pump data must be checked)
_____ Water / Ethanol mixtures, max. 28%

Material

Valve body: _____ Brass CW 614N
Ball: _____ NBR
O-rings: _____ EPDM

WIRING

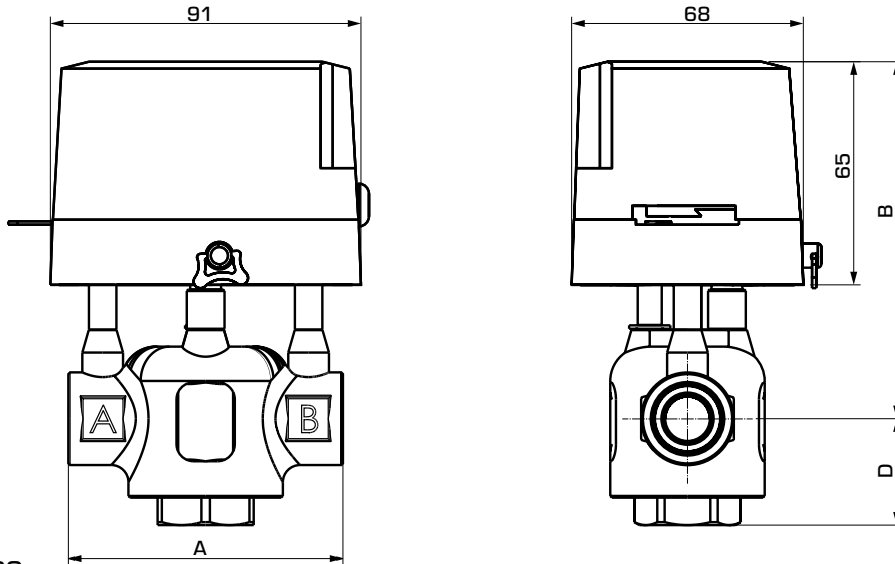
Please see the Installation Instruction

Actuator:

Ambient temperature: _____ max. +60°C
_____ min. 0°C
Enclosure rating: _____ IP44
Protection class: _____ I
Connection cable: _____ 1 meter
Power supply: _____ 230 V AC, 50/60 Hz
Control signal: _____ 2-point (2-wire spring return)
Power consumption: _____ 6 VA
Running time, opening: _____ 15 seconds
closing: _____ 5 seconds

CE LVD 2014/35/EU
EMC 2014/30/EU
RoHS3 2015/863/EU
PED 2014/68/EU, article 4.3

MOTORIZED ZONE VALVE SERIES ZRS230



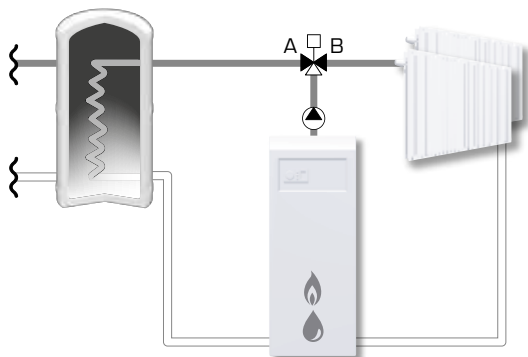
ZRS230

SERIES ZRS234, INTERNAL THREAD

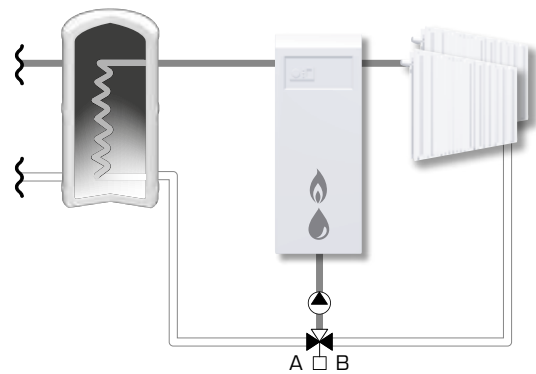
Art. No.	Reference	DN	Kvs *	Max. differential pressure [kPa]		Connection	A	B	D	Weight [kg]	Note
				Mixing	Diverting						
43123100	ZRS234	15	3,2	120	150	G 1/2"	80	103	29	1,02	
43123200		20	4,6	80	100	G 3/4"	89		32	1,07	
43123300		25	5,7			G 1"	93		37	1,16	
43123400		32	8,4	65	80	G 1 1/4"	105		110	45	1,58

* Kvs-value in diverting mode measured as m³/h at a pressure drop of 1 bar.

INSTALLATION EXAMPLE



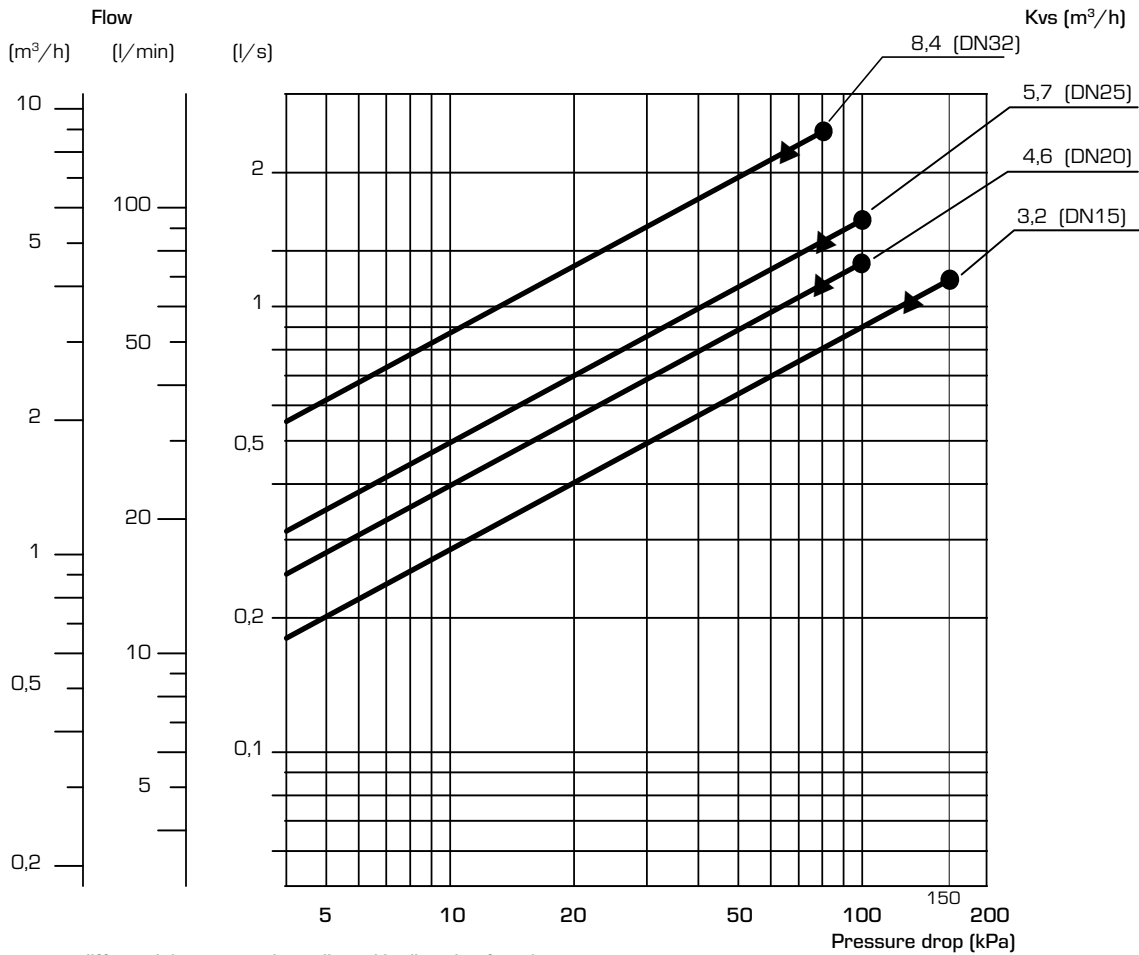
Diverting



Mixing

MOTORIZED ZONE VALVE SERIES ZRS230

PRESSURE DROP DIAGRAM



- = max. differential pressure drop allowed in diverting function
- ▲ = max. differential pressure drop allowed in mixing function

The product is intended to be used in closed circuits only.