

CONNECTION KIT SERIES KTD100

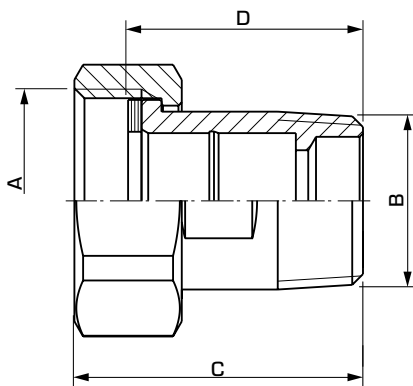
Connection kit with external thread for use on externally threaded valves.



KTD100
External thread

VERSIONS

Each package contains three of each of connection pieces, nuts and gaskets.



SUITABLE VALVES

The connection kit series KTD100 may most easily be fitted with ESBE mixing valves:

- Series VRG132
- Series VRG142
- Series VRG232
- Series VRG332
- Series VRB142

TECHNICAL DATA

Pressure class: _____ PN10
 Media temperature: _____ max. +180°C
 _____ min. -20°C
 Connection - nipple design: _____ acc. to EN 1254-4
 _____ Internal thread (G), ISO 228/1
 _____ External thread (R), EN 10226-1

Material

Nut: _____ Brass CW 614N
 Connection piece: _____ Dezincification resistant brass, DZR*
 Gasket: _____ Unitec 300

* Suitable for drinking water applications

CE PED 2014/68/EU, article 4.3



SERIES KTD112 EXTERNAL THREAD (3 CONNECTIONS/PACKAGE)

Art. No.	Reference	Connection		Dimension		Note	Weight [kg]
		A	B	C	D		
36551700	KTD112	G 1"	R 3/4"	43	35		0,36
36551800	KTD112	G 1 1/4"	R 1"	48,5	40		0,63
36551900	KTD112	G 1 1/2"	R 1 1/4"	55,5	45		0,97
36552000	KTD112	G 2"	R 1 1/2"	62	50		1,32
36552100	KTD112	G 2 1/4"	R 2"	68	55		2,18