

ZONE VALVES

MOTORIZED BALL VALVE SERIES MBA120



The ESBE series MBA120 consist of motorized 2-way ball valves available in DN 20-32, PN32 with internal thread or combination of internal and external thread connection.

OPERATION

The ESBE series MBA120 is a range of 2-way motorized ball valves with actuator for use in heating and cooling system. The valve is air bubble tight according to EN12266-1

The actuator is controlled by 2-point signal and is recommended for on/off function, available for 230V AC, 50 Hz power supply. Actuator is supplied with 0.85 meter connection cable attached, auxiliary switch and an anti condensation resistor to prevent condensation on the electronic circuit board.

Actuator is assembled on the ball valve with a metallic spigot that allows to assembly/disassembly the actuator in a secure, simple and rapid way. The ball valve and actuator has an operating range of 90°.

TECHNICAL DATA

Valve:

Pressure class: _____ PN 32
 Media temperature: _____ max. +90°C
 _____ min. 0°C
 Torque (at nominal pressure): _____ < 4 Nm
 Leakrate - EN12266-1: internal leakage rate A, Air bubble tight
 EN12266-1: external leakage rate A, Air bubble tight
 Working pressure: _____ 3.2 MPa (32 bar)
 Connections: _____ Internal thread, ISO 228/1
 _____ External thread, ISO 228/1
 Media: _____ Heating water (in accordance with VDI2035)
 _____ Water / Glycol mixtures, max. 50%.
 (above 20% admixture, the pump data must be checked)

Material

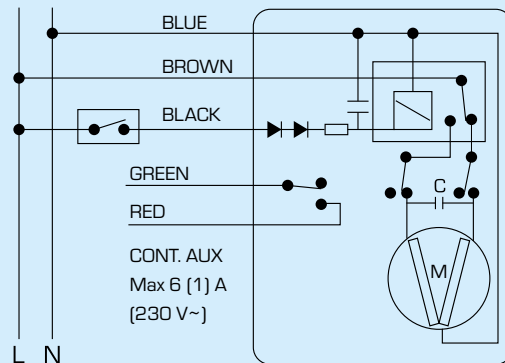
Valve body: _____ Brass CW 617N, Nickel plated
 Body end: _____ Brass CW 617N, Nickel plated
 Seat: _____ PTFE
 O-ring: _____ FPM
 Ball: _____ Brass CW 617N, Chrome plated
 Washer: _____ PTFE
 Shaft: _____ Brass CW 614N, Chrome plated
 O-ring, shaft: _____ HNBR
 Gasket: _____ Heat resistance fibre
 Union: _____ Brass CW 617N, Nickel plated
 Nut: _____ Brass CW 617N, Nickel plated

Actuator:

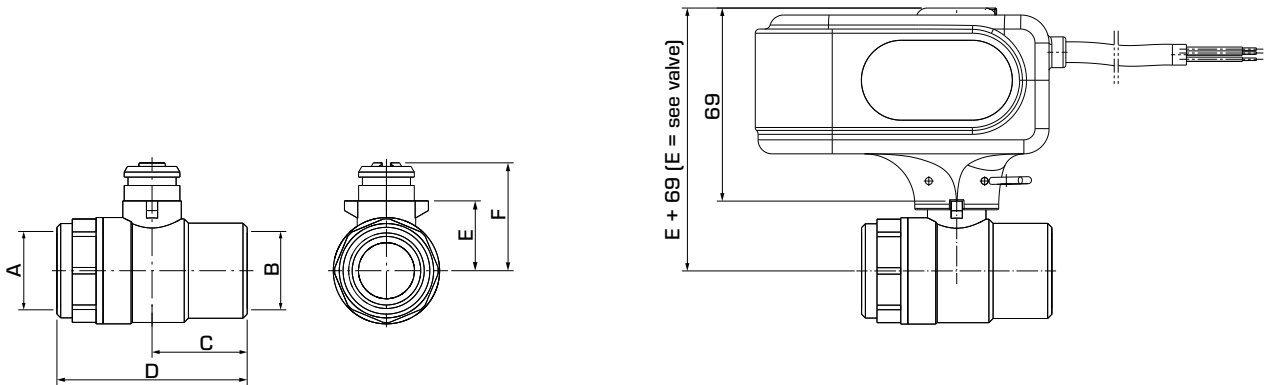
Ambient temperature: _____ max. +50°C
 _____ min. 0°C
 Enclosure rating: _____ IP44
 Protection class: _____ II
 Power supply: _____ 230 ± 10% VAC, 50 Hz
 Control signal: _____ 2-point SPST
 Power consumption - motor operation: _____ 3.5 W
 - anti condensation resistor: _____ up to 5 W
 Rating auxiliary switch: _____ 6(1) A 230 V AC
 Running time 90°: _____ 40 seconds
 Torque: _____ 10 Nm

CE LVD 2014/35/EU
 EMC 2014/30/EU
 RoHS 2011/65/EU
 PED 2014/68/EU, article 4.3

WIRING

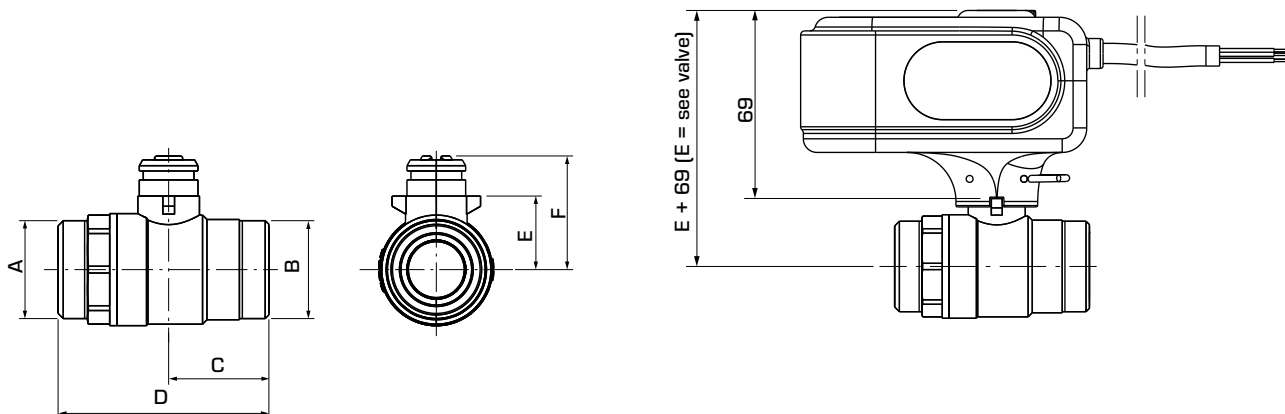


MOTORIZED BALL VALVE SERIES MBA120



SERIES MBA121, INTERNAL THREAD

Art. No.	Reference	DN	Kvs*	Connection		C	D	E	F	Weight [kg]	Note
				A	B						
43100100	MBA121	20	45	G ¾"	G ¾"	34	68	25	39	0.74	
43100200		25	60	G 1"	G 1"	41	82	29	43	0.93	
43100300		32	100	G 1¼"	G 1¼"	43	86	34	48	1.08	

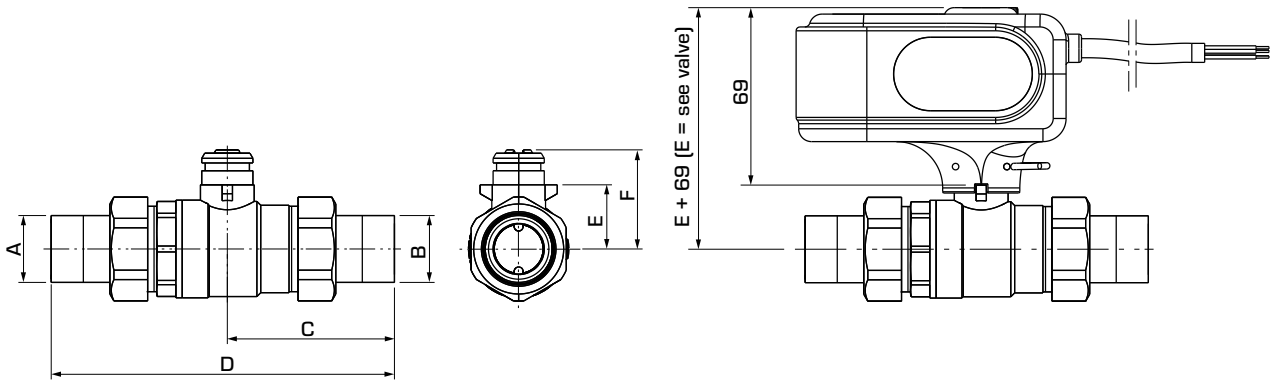


SERIES MBA122, EXTERNAL THREAD

Art. No.	Reference	DN	Kvs*	Connection		C	D	E	F	Weight [kg]	Note
				A	B						
43101100	MBA122	15	20	G ¾"	G ¾"	31	62	21.5	35	0.61	
43101200		20	45	G 1"	G 1"	34	72	25	38.5	0.72	
43101300		25	60	G 1¼"	G 1¼"	39.5	82	29	42.5	0.91	
43101400		32	100	G 1½"	G 1½"	36	86	34	47.5	1.10	

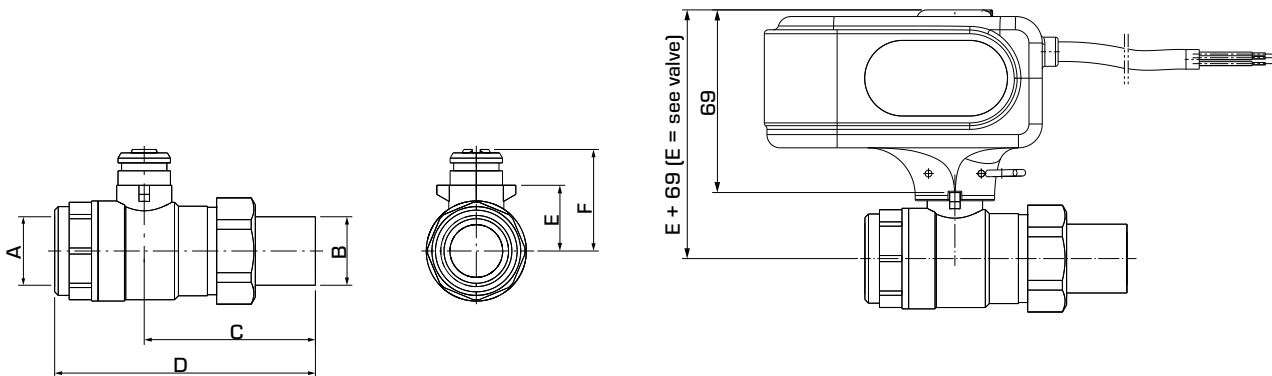
* Kvs-value in m³/h at a pressure drop of 1 bar.

MOTORIZED BALL VALVE SERIES MBA120



SERIES MBA122, EXTERNAL THREAD WITH ADAPTERS

Art. No.	Reference	DN	Kvs*	Connection		C	D	E	F	Weight [kg]	Note
				A	B						
43100700	MBA122	15	20	G 1/2"	G 1/2"	58.5	118	21.5	35	0.73	
43100800		20	45	G 3/4"	G 3/4"	65	133.5	25	38.5	0.93	
43100900		25	60	G 1"	G 1"	73	149	29	42.5	1.24	
43101000		32	100	G 1 1/4"	G 1 1/4"	74	158	34	47.5	1.55	



SERIES MBA124, INTERNAL AND EXTERNAL THREAD

Art. No.	Reference	DN	Kvs*	Connection		C	D	E	F	Weight [kg]	Note
				A	B						
43100400	MBA124	20	45	G 3/4"	G 3/4"	65	99	25	39	0.83	1)
43100500		25	60	G 1"	G 1"	73	115	29	43	1.04	1)
43100600		32	100	G 1 1/4"	G 1 1/4"	75	119	34	48	1.28	1)

* Kvs-value in m³/h at a pressure drop of 1 bar.

Note 1) Connection A = Internal thread, Connection B = External thread

MOTORIZED BALL VALVE SERIES MBA120

DIMENSIONING

HEATING APPLICATION IN GENERAL, EXAMPLE RADIATOR OR UNDERFLOOR HEATING SYSTEMS

Start with the heat demand in kW (e.g. 25 kW) and move vertically to the chosen Δt (e.g. 5°C).

Move horizontally to the pressure drop lines and select Kvs-value (e.g. 20,0). A valve with suitable Kvs-value will be found in respective product description.

OTHER APPLICATIONS

Make sure maximum ΔP is not exceeded 2 bar to avoid noises.

