

# HWC KIT UPTT SERIES KTE400

Connection kit with external thread and check valves for easy connection of UPTT to a hot water circulation system (HWC).



**KTE400**  
Rotating nut/  
External thread

## VERSIONS

The kit contains a cross piece with flow limitation on one port, and one integrated checkvalve, connection pieces with rotary nuts and external thread, 2 integrated checkvalves, nuts and gaskets.

## SUITABLE VALVES

The connection kit series KTE412 is optimal for use with a UPTT522, but can fit on other G 1 1/4" valves as well:

- Series UPTT522
- Series VTA522
- Series VTA552
- Series VTS522
- Series VTS552

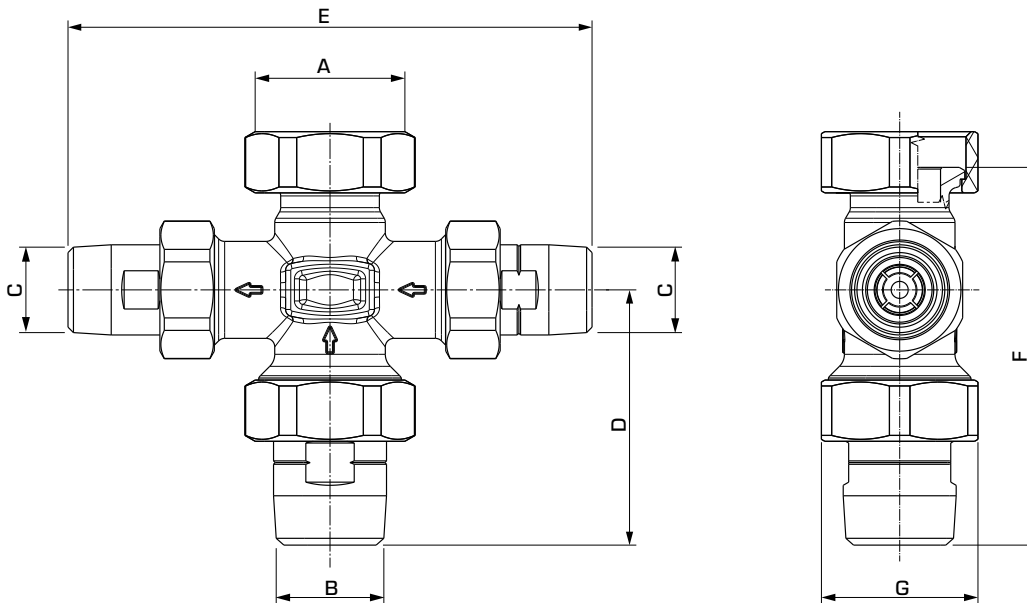
### TECHNICAL DATA

Pressure class: \_\_\_\_\_ PN10  
 Media temperature: \_\_\_\_\_ max. +120°C  
 \_\_\_\_\_ min. -20°C  
 Connection: \_\_\_\_\_ External thread (R), EN 10226-1  
 \_\_\_\_\_ Internal thread (G), ISO 228/1

Material  
 Nut: \_\_\_\_\_ Brass CW 614N  
 Connection piece: \_\_\_\_\_ Dezincification resistant brass, DZR\*  
 Gasket: \_\_\_\_\_ Unitec 300

\* Suitable for drinking water applications

PED 2014/68/EU, article 4.3



## SERIES KTE400, ROTATING NUT AND EXTERNAL THREAD

Art. No.	Reference	Connection			Dimension [mm]				Weight [kg]	Note
		A	B	C	D	E	F	G		
36554800	KTE412	RN 1 1/4"	R 1"	R 3/4"	75	154	111	46	0,85	

RN = Rotary nut