

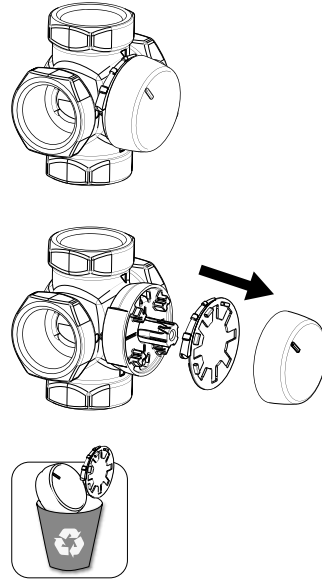
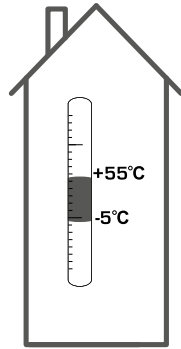
# ESBE SERIES ARA600 Prop



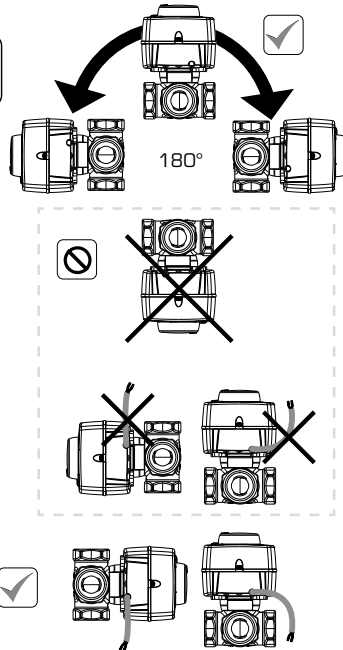
Series ARA639  
Series ARA659



LVD 2014/35/EU  
EMC 2014/30/EU  
RoHS3 2015/863/EU

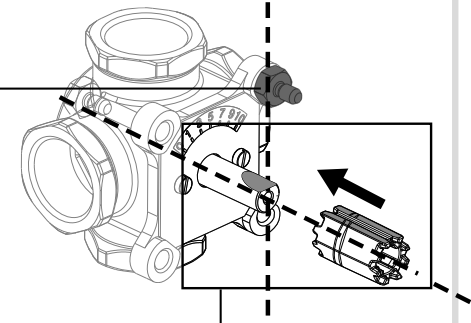


IP44 POSITION

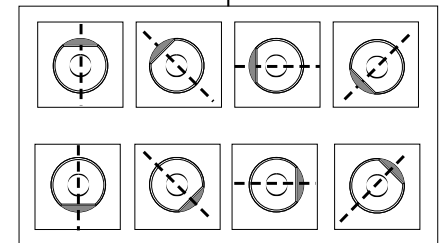
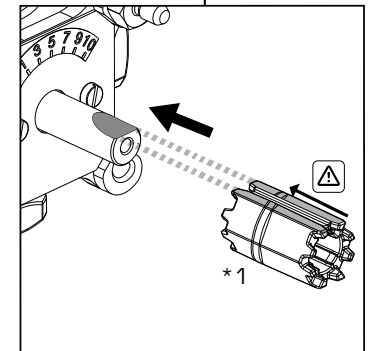


Series MG, G, F, H, HG, BIV, T, TM

	DN15-25	
	DN20-40	
	DN50	
	DN20-25	
	DN32-50	
	H: DN25	
	H: DN32-50	
	HG: DN25	
	DN20-22	
	DN25	
	T: DN20-32	
	TM: DN20	

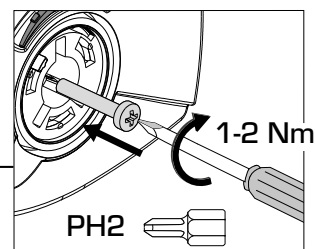
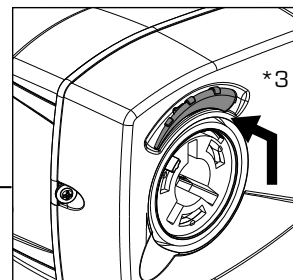
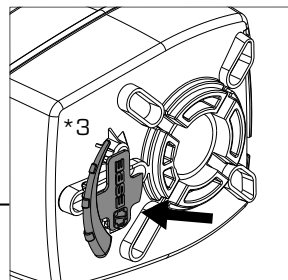
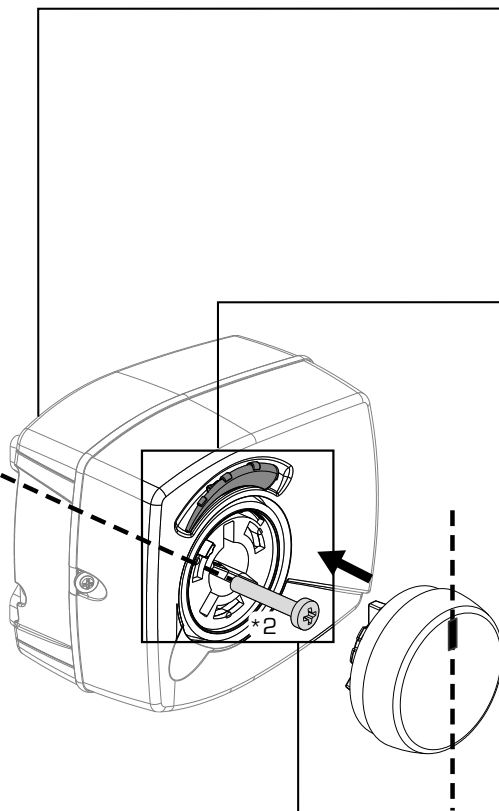
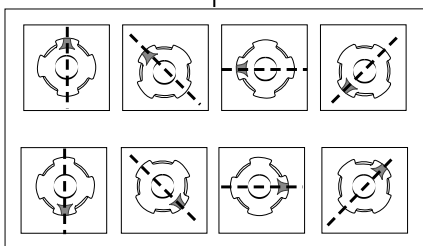
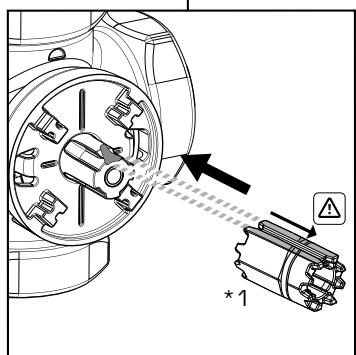
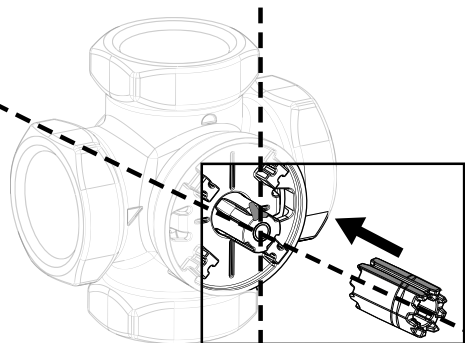


Kit	*Parts
	*1
	*2
	*3



Series VRGxxx, VRBxxx, VRHxxx

Series VRCxxx



ESBE AB  
Bruksgatan 22  
SE-333 75 Reftetele  
www.esbe.eu



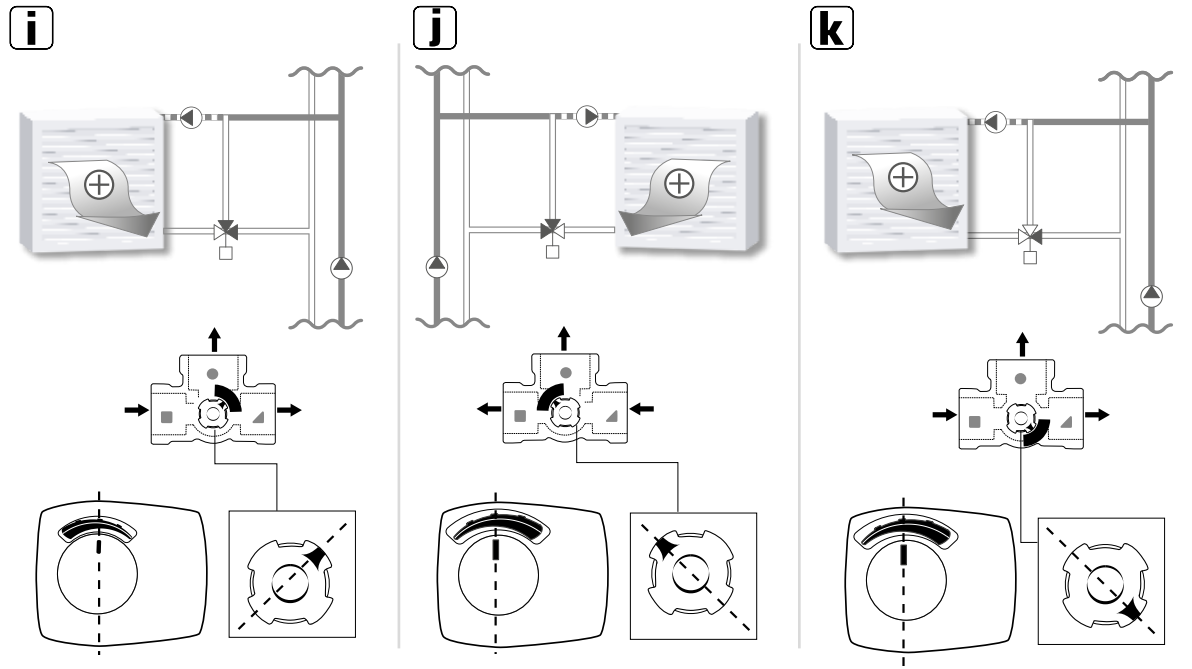
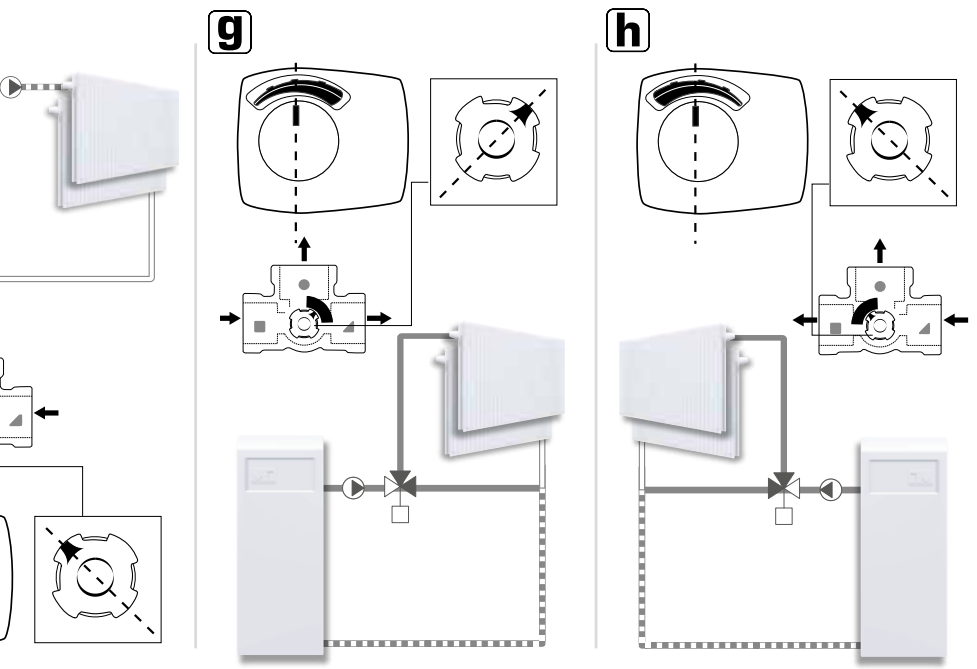
Mtrl.no. 98140276 • Dwg. 8082 Vers. • N • Rev. 2024-09-01



**SERIES ARA600 Prop**

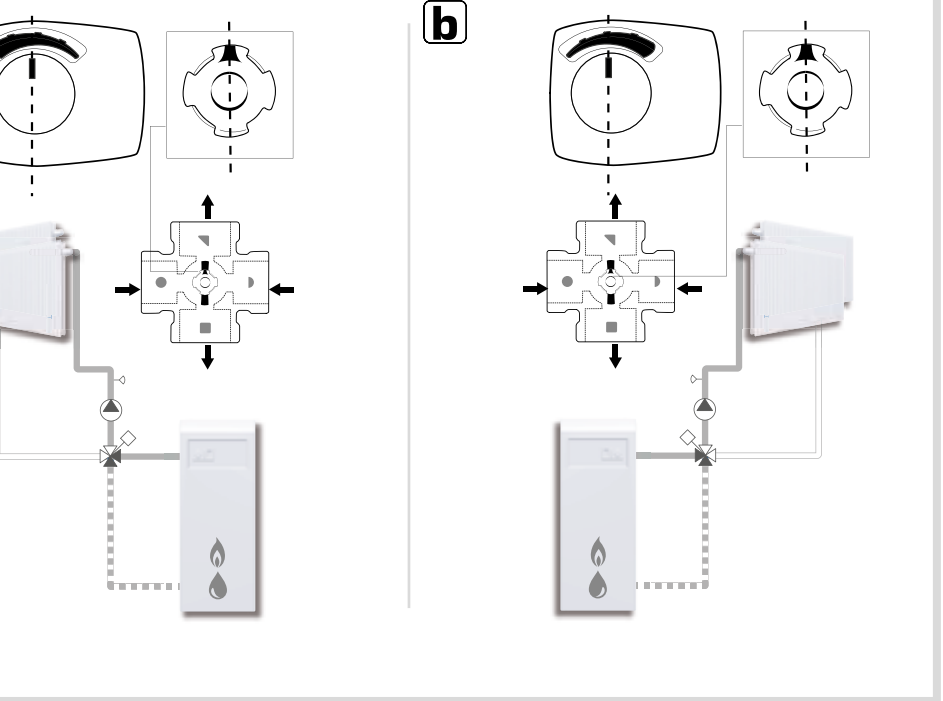




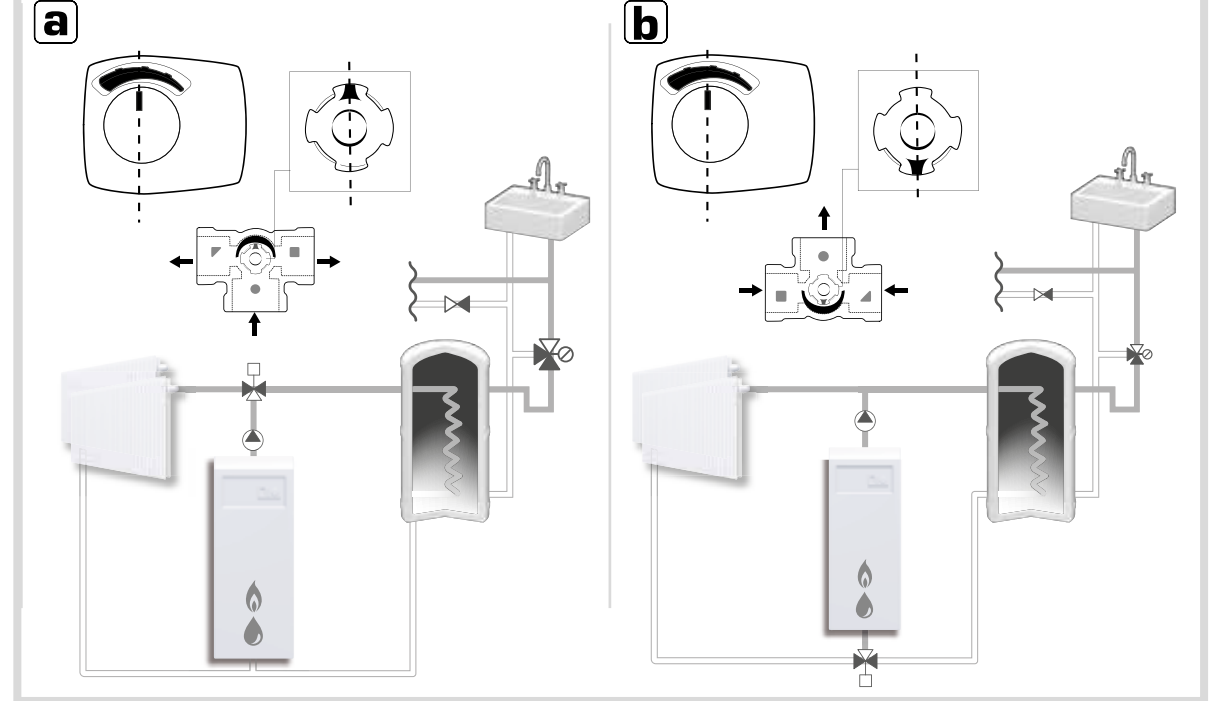


SERIES VRG130

**SERIES VRG140**

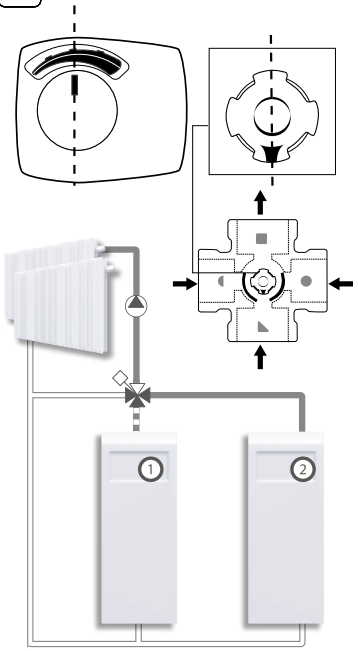


**SERIES VRG230**

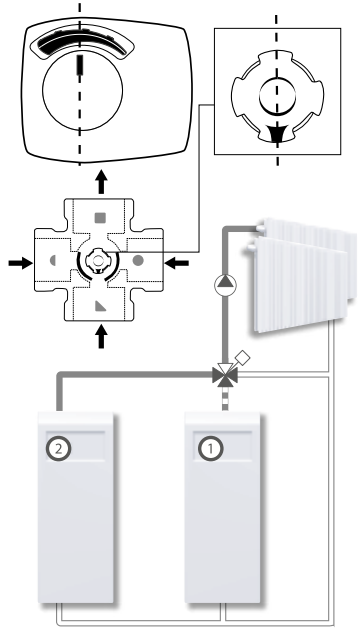


# SERIES VRB140

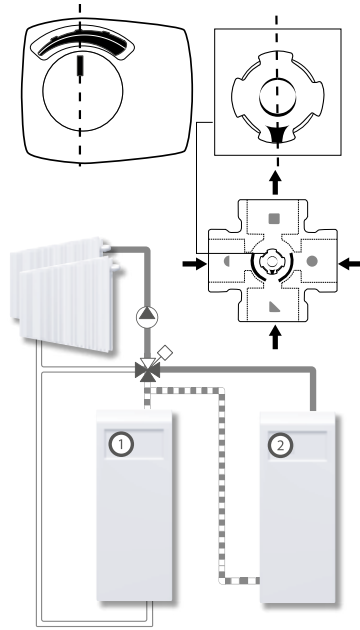
**a**



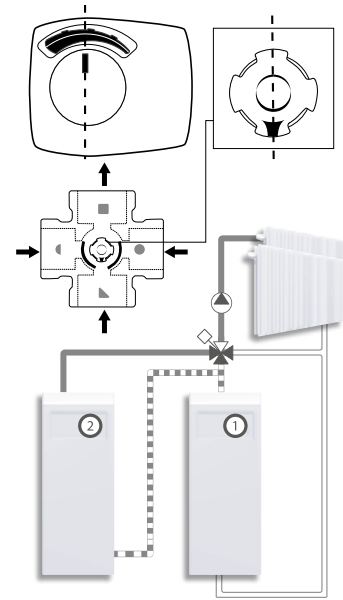
**b**



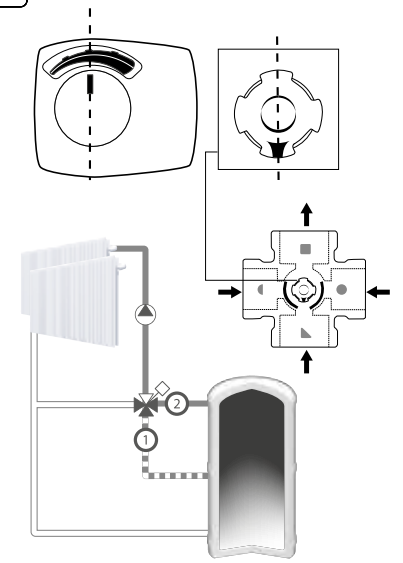
**c**



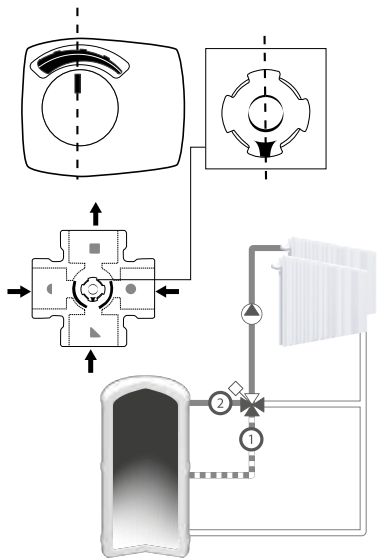
**d**



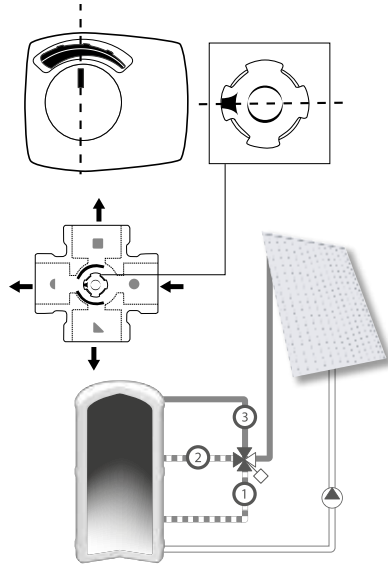
**e**



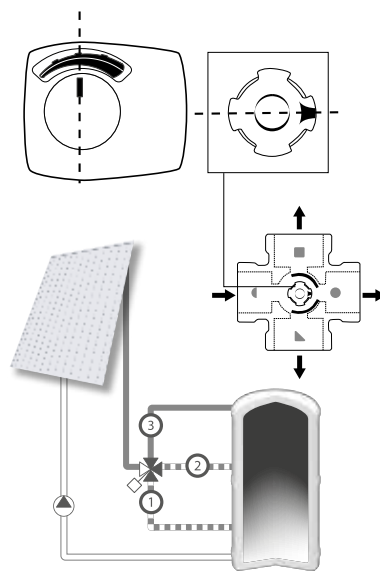
**f**



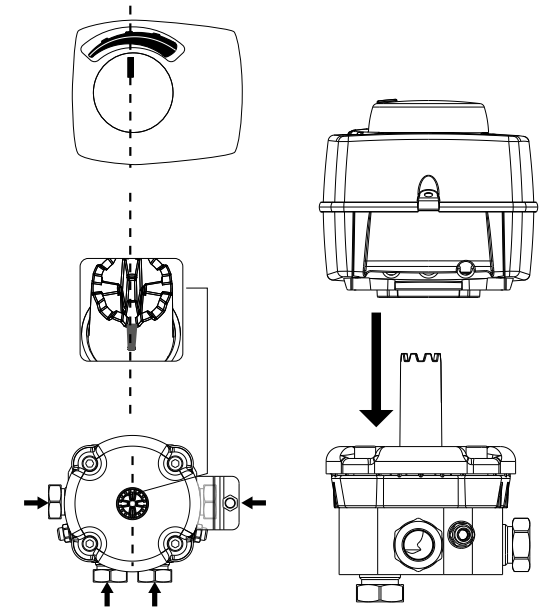
**g**



**h**



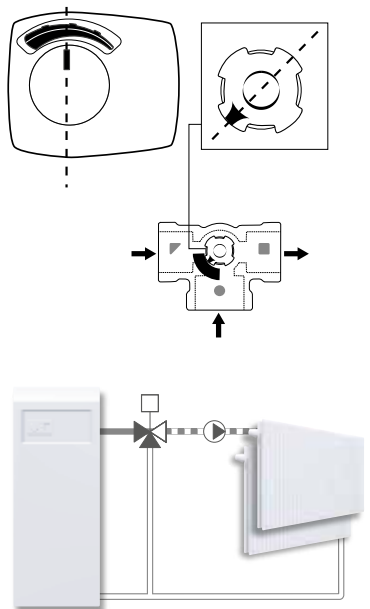
# SERIES VRC160



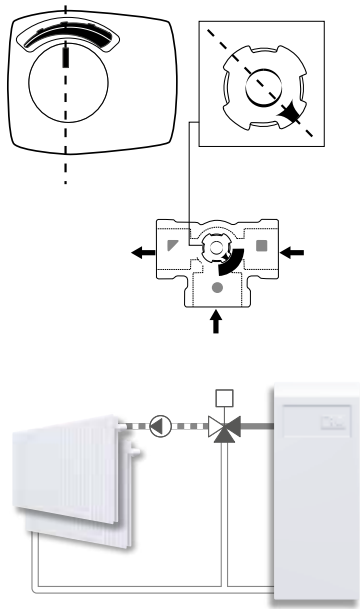
*Piping Schematics are General Representations*

# SERIES VRG330

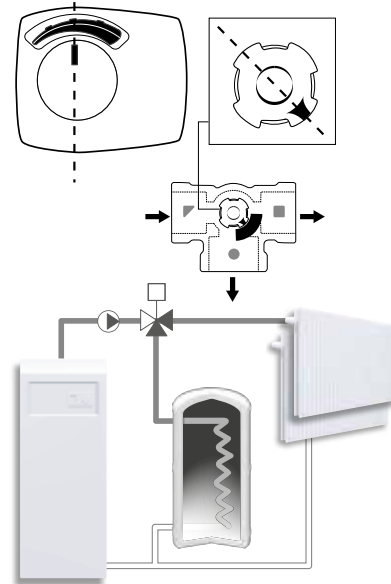
**a**



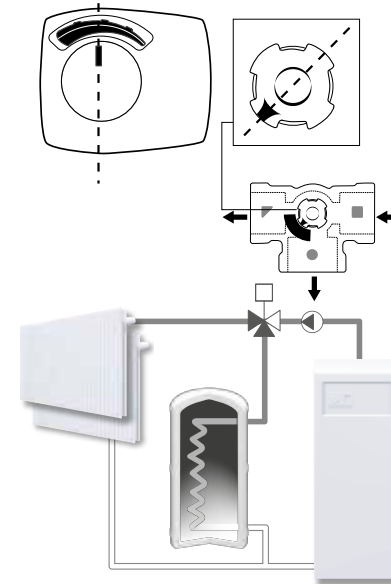
**b**



**c**



**d**



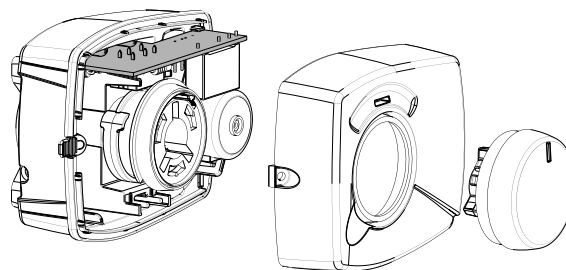
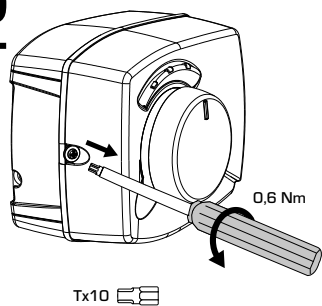
**4**



1



2





# Series ARA639

**3/U**

≥ 0,5mm<sup>2</sup>

**3/I**

≥ 0,5mm<sup>2</sup>

**4/U**

≥ 0,5mm<sup>2</sup>



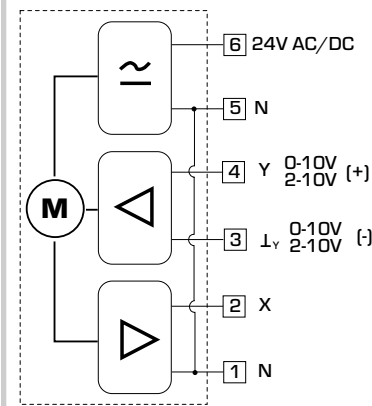
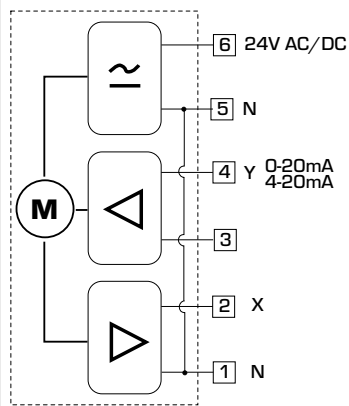
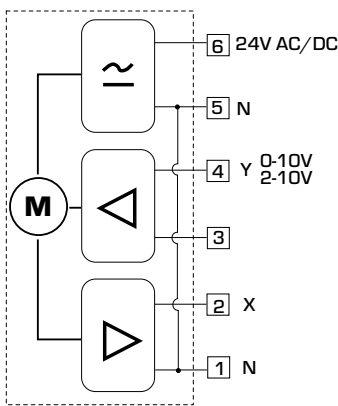
- ON 1
- 2
- 3
- 4
- 5
- 6
- 7
- 8

**Y**

120s	60s	30s	15s
ON 1	ON 1	ON 1	ON 1
ON 2	ON 2	ON 2	ON 2
0-10V	0-20mA	2-10V	4-20mA
ON 3	ON 3	ON 3	ON 3
ON 4	ON 4	ON 4	ON 4

ON

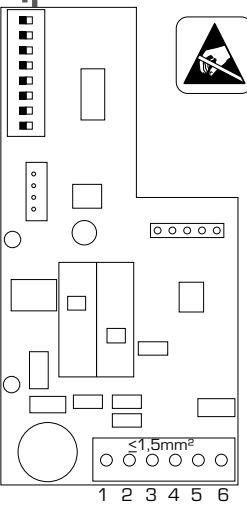
—	SEQ
CW	CCW



**Y**

120s	60s	30s
ON 1	ON 1	ON 1
ON 2	ON 2	ON 2
OFF		
ON		
ON		
CW	CCW	
OFF		
OFF		

## SEQ Cntrl

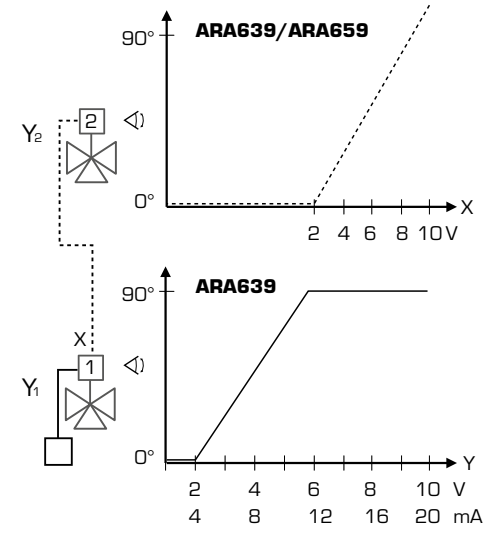
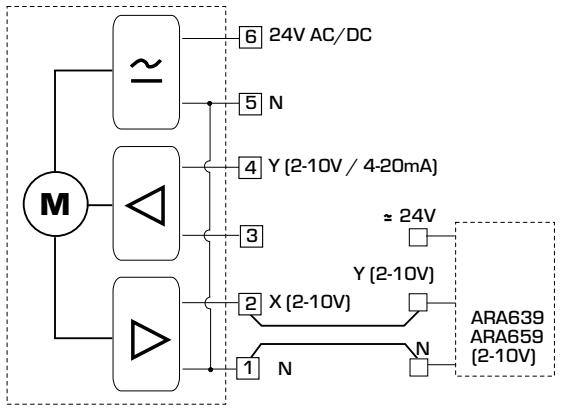


**Y**

120s	60s	30s	15s
ON 1	ON 1	ON 1	ON 1
ON 2	ON 2	ON 2	ON 2
2-10V	4-20mA		
ON 3	ON 3		
ON 4	ON 4		

ON

—	SEQ
CW	CCW

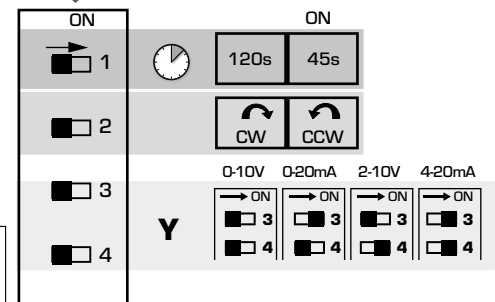
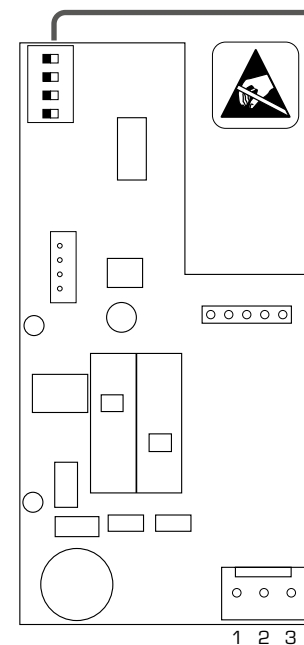
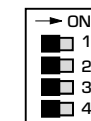
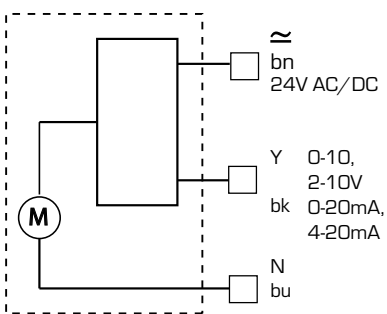
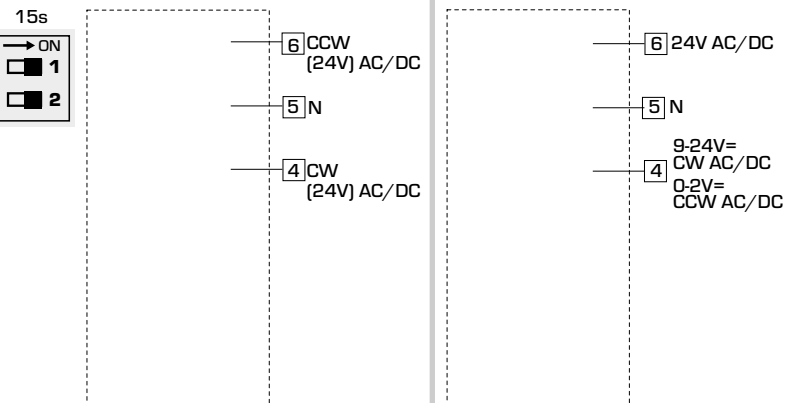


# Series ARA659



**3-point**

**2-point**



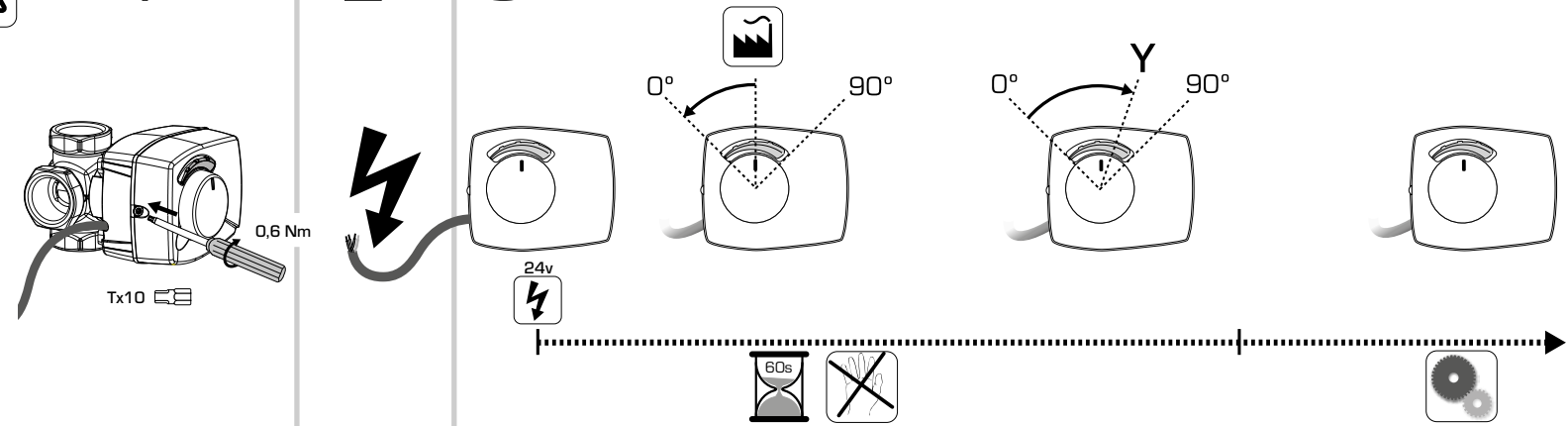
**5**



1

2

3



**i**



2

1

