

# CONTROLLER SERIES CRK210

ESBE Series CRK210 are combined actuators with controllers. The CRK210 range offers constant flow temperature control for devices with combined heating & cooling function. The Series CRK210 is intended to be used with valves Series VRx.

## OPERATION

The CRK210 is a constant temperature controller intended for applications where a constant flow temperature is desired. The controller is integrated with an actuator and foreseen to be used with rotating mixing valves series VRx.

The Series CRK210 consists of two main components; an actuator and a flow temperature sensor. The primary function of the controller is to keep a constant set temperature at the sensor location. The series comes with a T/T2 (main temperature to alternative temperature) setting, which is also used to control the opening direction of actuator. This feature is intended for devices with combined heating and cooling function set by relay. But additional equipment is needed to release the relay, e.g. a clock in case the heating/cooling unit has no available control signal. The release of the relay will change the working direction of the actuator to correspond with the working mode of the source unit (heating mode or cooling mode). The settings are done via joystick and presented on a display.

## INTRODUCTION OF ESBE SELF-ADAPTIVE SYSTEM

The ESBE Self-Adaptive System is taking care of PI factors (Proportional gain and Integral response) by learning the system behaviours and solving the issues which in the past needed to be taken care of by an installer at the controller installation site. The self-adaptive system takes care of smooth operation of the controller, eliminates issues connected to delays or controller response times and deliver a high control standard and comfort. This turns the CRK210 Series into controllers which are suited to work in any system setup or environment.

## INSTALLATION

Power supply by 230 V AC adapter (complete with transformer, cable and wall socket plug).

Flow temperature sensor comes with 1,5m cable included (longer cable available as accessory). The sensor must be carefully insulated from ambient temperature.

Thanks to the special interface between the controller series CRK210 and the ESBE series VRG and VRH, the unit as a whole has a unique stability and precision when regulating.



CRK211

## OPTIONAL EQUIPMENT

Art. No.

16200700 \_\_\_\_\_ ARA801 Auxiliary switch kit

17053100 \_\_\_\_\_ CRA911 Flow temperature sensor, 5m cable

17056200 \_\_\_\_\_ CRA915 UK plug

## SUITABLE MIXING VALVES

- Series VRG130
- Series VRG230
- Series VRG330
- Series VRH130
- Series 3MG
- Series 3G
- Series 3F ≤ DN50

## ADAPTOR KITS

Required adaptor kits for easy fitting onto an ESBE rotary mixing valve series VRx is supplied with each controller. Adaptor kits can also be ordered separately.

Art. No.

16000500 \_\_\_\_\_ ESBE valve series VRG, VRH, G, MG, F

Adaptor kits for other mixing valves are available as follows:

Art. No.

16000600 \_\_\_\_\_ Meibes

16000700 \_\_\_\_\_ Watts

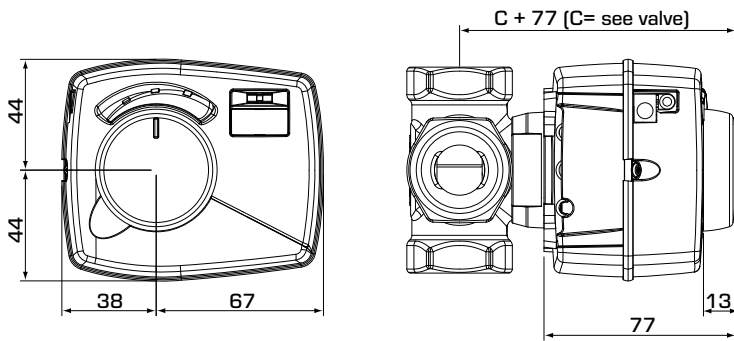
16000800 \_\_\_\_\_ Honeywell Corona

16000900 \_\_\_\_\_ Lovato

16001000 \_\_\_\_\_ PAW

16001100 \_\_\_\_\_ Wita Minimix, Maximix

# CONTROLLER SERIES CRK210



## SERIES CRK210

Art. No.	Reference	Voltage [VAC]	Temp. range	Torque [Nm]	Weight [kg]	Note	Replaces
12729100	CRK211	230	5-95°C	6	0,5		12725100

### TECHNICAL DATA

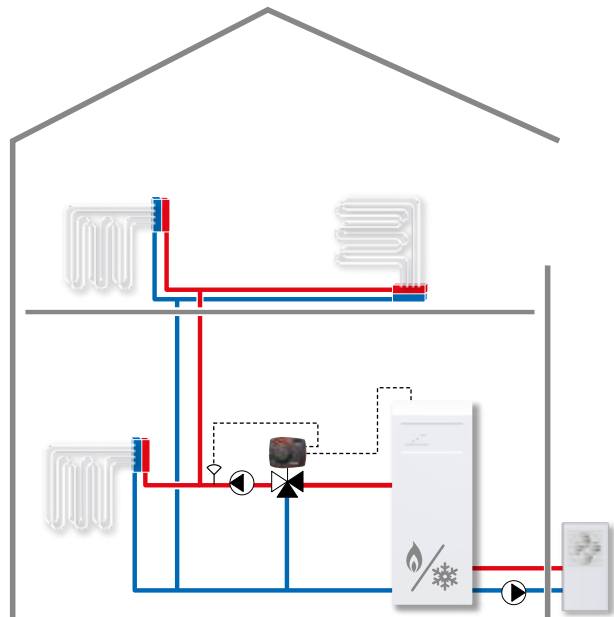
Ambient temperature: \_\_\_\_\_ max. +55°C  
 \_\_\_\_\_ min. -5°C  
 Sensor type: \_\_\_\_\_ NTC  
 Temperature range:  
 Flow temperature sensor \_\_\_\_\_ +5 to +95°C  
 Enclosure rating, Actuator unit: \_\_\_\_\_ IP41  
 Protection class: \_\_\_\_\_ II  
 Power supply, Actuator unit: \_\_\_\_\_ 230 ± 10% V AC, 50 Hz  
 Power consumption (230 V AC): \_\_\_\_\_ 10 VA  
 Torque (Actuator): \_\_\_\_\_ 6 Nm  
 Running time at max. speed (Actuator): \_\_\_\_\_ 30s  
 ErP Temperature control class: \_\_\_\_\_ N/A  
 Energy efficiency contribution: \_\_\_\_\_ N/A

**CE** LVD 2014/35/EU  
 EMC 2014/30/EU  
 RoHS3 2015/863/EU

### WIRING

Please see the Installation Instruction

### INSTALLATION EXAMPLE



### Constant flow temperature going to the heating circuit

The CRK210 controls and secures the set flow temperature. The controller is connected to the device with combined heating and cooling function. The connection is done via relay, which when released will change the opening direction of the CRK210. This feature allows the CRK210 to adjust the work principle between heating or cooling working mode of the heating/cooling device.

*The shown applications are only examples of product use!  
 Before using the product in any application, the regional and national regulations need to be checked.*