

COMPLEMENTARY PRODUCTS

FILLING VALVE SERIES VFA200

ESBE filling valves for the filling of heating system and other closed fluid systems.



VFA200
Compression fitting

OPERATION

The valve is intended for the filling of heating systems and other closed fluid systems. The valve series VFA200 has built-in shut-off and check valve. The check valve is controllable with backflow protection type EB complying with EN1717.

TECHNICAL DATA

Pressure class: _____ PN 16
 Max. working temperature: _____ 100°C
 Connections: _____ Compression fitting (CPF), EN 1254-2

Material

Valve housing and other metal parts with fluid contact:

_____ Dezincification resistant brass, DZR*

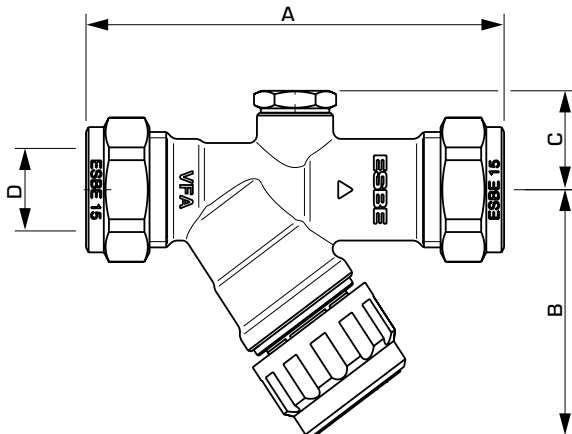
Seat seal: _____ Silicone

O-rings: _____ EPDM

Knob: _____ Plastic

* Suitable for drinking water applications

PED 2014/68/EU, article 4.3



VFA200

SERIES VFA200

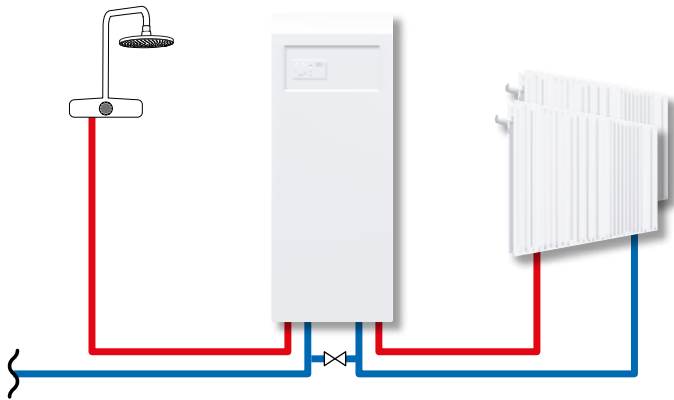
Art. No.	Reference	DN	Kvs*	A	B	C	Connection D	Weight [kg]	Note
36301100	VFA203	15	2,3	82	max. 50	18	CPF 15 mm	0,22	

* Kvs-value in m³/h at a pressure drop of 1 bar. CPF = compression fitting

COMPLEMENTARY PRODUCTS

FILLING VALVE SERIES VFA200

INSTALLATION EXAMPLES



Fitted between the main water supply and the heating system, open the valve to replace any water lost from the heating system.