

THERMOSTATIC CONTROL UNITS

VALVE MANIFOLD SERIES VMB400, VMB500

The ESBE series VMB400/VMB500 is a compact valve combination for hot water storage. Incoming cold water has the following incorporated components; non return and shut-down device and connections for safety valve, vacuum valve etc. The incoming hot-water is regulated by a thermostatic mixing valves series VTA320/VTA520.



VMB400
Compression fitting

VMB500
Compression fitting

HOW TO USE THE VALVES

Valve manifolds series VMB400 has two connections and series VMB500 has one connection to connect safety valve (VSB), vacuum valve (VVA), filling valve (VFA), HWC-pipe etc. The manifold also has shut off functionality and backflow protection type EB complying with EN1717.

VALVE MANIFOLD VMB400, VMB500 DESIGNED FOR

- Potable water

TECHNICAL DATA

Pressure class: _____ PN 10
 Differential pressure: _____ Mixing, max. 0,3 MPa (3 bar)
 Media temperature: _____ max. 95°C
 Temperature stability: _____ ±2°C*
 Temperature range, VMB400: _____ 35-60°C
 VMB500: _____ 45-65°C
 Connection: _____ Internal thread (G), ISO 228/1
 _____ Compression fitting (CPF), EN 1254-2

* Valid at unchanged hot/cold water pressure, minimum flow rate 4 l/min. Minimum temperature difference between hot water inlet and mixed water outlet 10°C.

Material

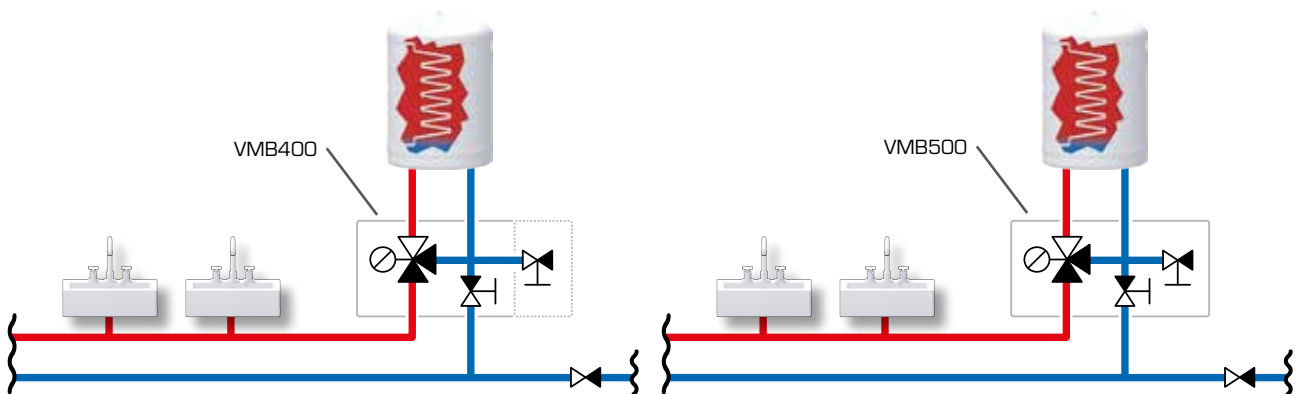
Valve housing and other metal parts with fluid contact:
 _____ Dezincification resistant brass, DZR

PED 2014/68/EU, article 4.3

Pressure Equipment in conformity with PED 2014/68/EU, article 4.3 (sound engineering practice). According to the directive the equipment shall not carry any CE-mark.

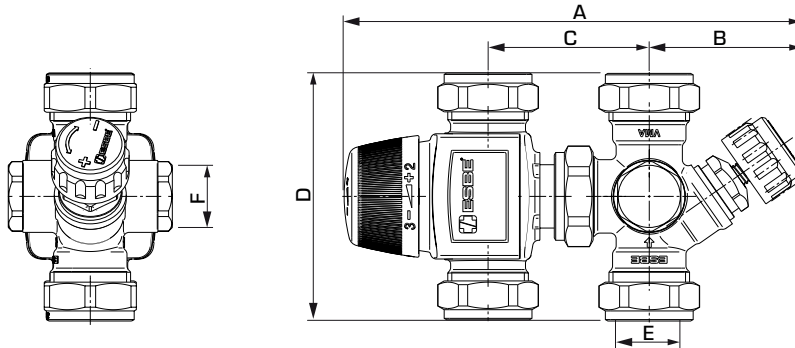
INSTALLATION EXAMPLES

The valve combination is used for hot water storage applications.



VALVE MANIFOLD

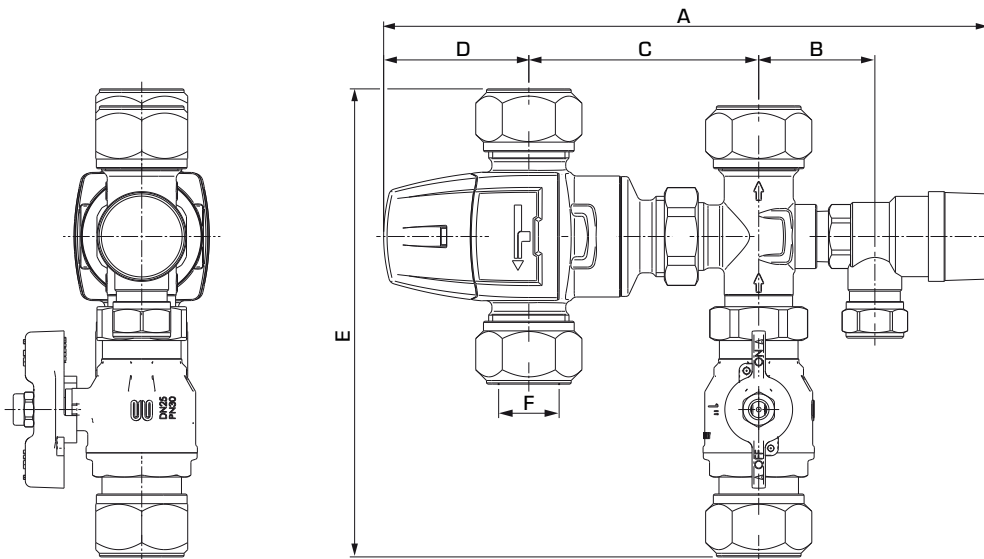
SERIES VMB400, VMB500



SERIES VMB400, COMPRESSION FITTING

Art. No.	Reference	DN	Kvs	Safety valve		Connection		A	B	C	D	Weight [kg]
				[MPa]	[bar]	E	F					
31502000	VMB423	15	1,1	—	—	CPF 15 mm	G 1/2"	165	53	ca 55	86	0,78
31502600				1,0	10							0,93
31502100	VMB423	20	1,6	—	—	CPF 22 mm	G 1/2"	165	53	52-60	86	0,86
31502200				0,6	6							1,01
31502300				0,7	7							1,01
31502400				0,9	9							1,01
31502500				1,0	10							1,01

CPF = compression fitting



SERIES VMB500, COMPRESSION FITTING

Art. No.	Reference	DN	Kvs	Safety valve		Connection	A	B	C	D	E	Weight [kg]
				[MPa]	[bar]	F						
31510100	VMB523	25	3,2	0,9	9	CPF 28 mm	250	48	95	60	193	2,1

CPF = compression fitting