

# CONTACT THERMOSTAT SERIES TSA100

ESBE TSA100 is an ON/OFF surface thermostat intended for automatic temperature control in heating circuits.



## OPERATION

The ESBE TSA100 is a ON/OFF thermostat, consisting of temperature probe connected to a switch. The switch can be used to control ON/OFF, based on the temperature measurement, any electrical device e.g. pump, boiler, etc.

## FUNCTION

The thermostat has a temperature setting via knob and is available in two ranges 40°C – 70°C and 20°C – 90°C. According to the temperature setting the TSA100 can control e.g. pump in ON/OFF working principle. The temperature is measured via surface sensor and when the set temperature is reached the switch is released and the device which is connected to the TSA100 is turned off.

## MOUNTING

The TSA100 can be mounted directly on any surface, eg. pipe or manifold for underfloor heating (UHF).

## TECHNICAL DATA

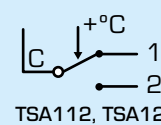
Contacts rating adjustable thermostat: \_\_\_\_\_ see table  
 Enclosure rating: \_\_\_\_\_ see table  
 Control range: \_\_\_\_\_ see table  
 Limit temperature: \_\_\_\_\_ 125°C (Fixed 60°C TSA121)  
 Maximum ambient temperature: \_\_\_\_\_ 80°C (55°C TSA121)  
 Temperature differential: \_\_\_\_\_  $\Delta T 8 \pm 2K$

Material  
 Cover: \_\_\_\_\_ Plastic  
 Sensor: \_\_\_\_\_ Copper

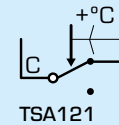
CE LVD 2014/35/EU  
 RoHS3 2015/863/EU

UK SI 2016 No. 1101  
 CA SI 2012 No. 3032

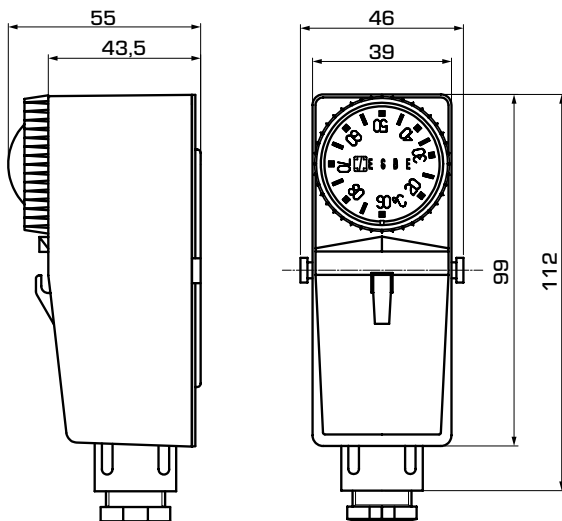
## WIRING



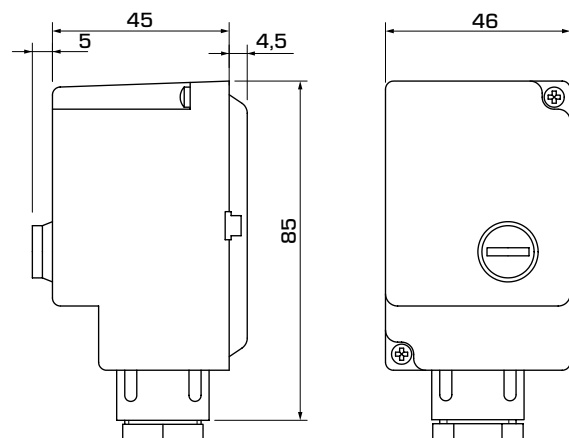
TSA112, TSA122



TSA121



TSA112, TSA122



TSA121

## SERIES TSA100

Art. No.	Reference	Control range	Contacts rating	Enclosure rating	Weight [kg]	Note
86900100	TSA121	40 - 70°C $\pm 5^\circ C$	(C-2) 10A	IP40	0,18	Internal setting
86900200	TSA122	20 - 90°C	(C-1) 10A/ (C-2) 6A 250V AC	IP30	0,15	External setting
86900300	TSA112	20 - 90°C	(C-1) 10A/ (C-2) 6A 250V AC	IP30	0,14	Internal setting